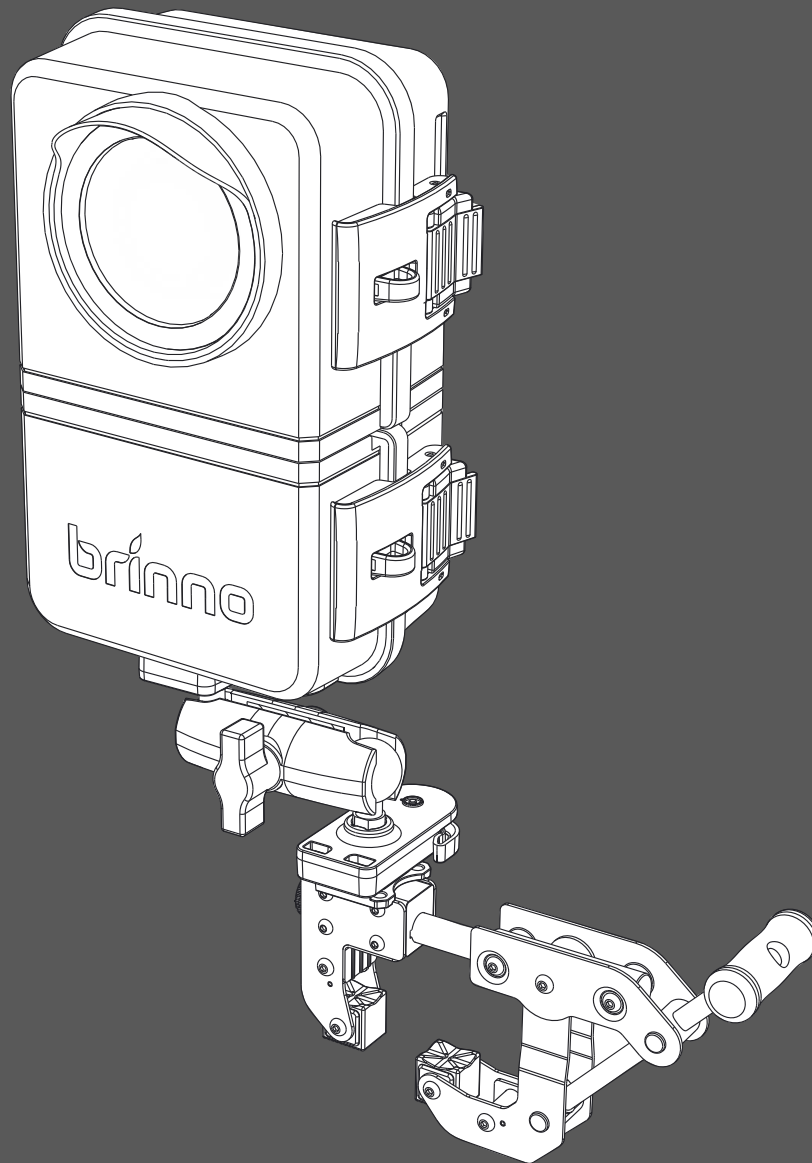


Wi-Fi & 4K CONSTRUCTION TIME LAPSE CAMERA

BCC5000



User Manual

brinno
brilliant innovation

Contents

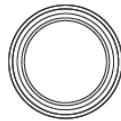
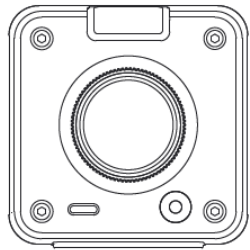
In the Box	7
Device Parts.....	9
LED Indicators	12
Initial Setup.....	13
Charge Before Use	14
Camera Installing Battery Pack	15
Camera MicroSD Card & Lens Hood	16
Housing Charging Battery Pack	17
Housing Installing Battery Pack.....	19
Housing Installing Camera.....	20
Housing Locking the Door	21
Housing Solar Power Kit	22
Housing LED Indicators.....	23

Clamp Install Release Adapter	25
Operating Methods	33
Bluetooth Operation	36
Bluetooth Home Page	37
Bluetooth Camera Connect	38
Bluetooth Camera Status.....	39
Bluetooth Camera Settings.....	40
Bluetooth Take a Photo (adjust camera view angle)	41
Bluetooth Schedule Setting (daily & weekly recording schedule)	42
Bluetooth Time Interval	43
Bluetooth How to Start a Time Lapse Recording.....	44
Bluetooth How to Check Camera Status During Recording.....	45
Bluetooth Add Camera to Your Account.....	46
Bluetooth Sign up/login Your Account.....	47
Bluetooth Set Camera Wi-Fi.....	48
Bluetooth Register Camera	49

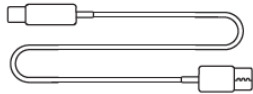
- Bluetooth | Register Completed.....50
- Bluetooth | Add Access Code51
- Bluetooth | Remove Access Code54
- Bluetooth | Setting Library57
- Wi-Fi Operation.....60
- Wi-Fi | Initial Page61
- Wi-Fi | Camera ID.....62
- Wi-Fi | Live View.....63
- Wi-Fi | Start/Stop Recording.....64
- Wi-Fi | Settings & Info.....65
 - Settings | Schedule66
 - Settings | Time Interval.....67
 - Settings | Configure Settings.....68
 - Settings | Battery Details.....70
 - Settings | SD Card.....71
 - Settings | About Camera73
- On-Camera Operation.....75

In the Box

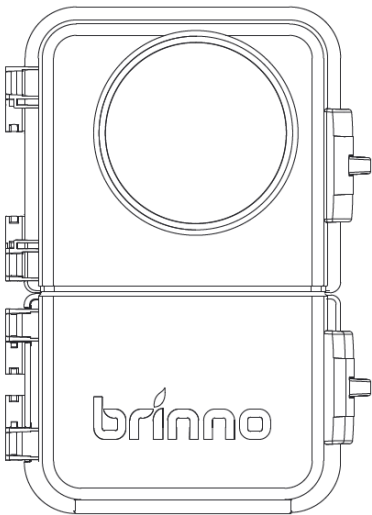
1. 4K Time Lapse Camera - TLC5000



- 1.1. Camera
- 1.2. Lens hood
- 1.3. USB-C cable
- 1.4. MicroSD card with adapter



2. Construction Power Housing - ATH5000

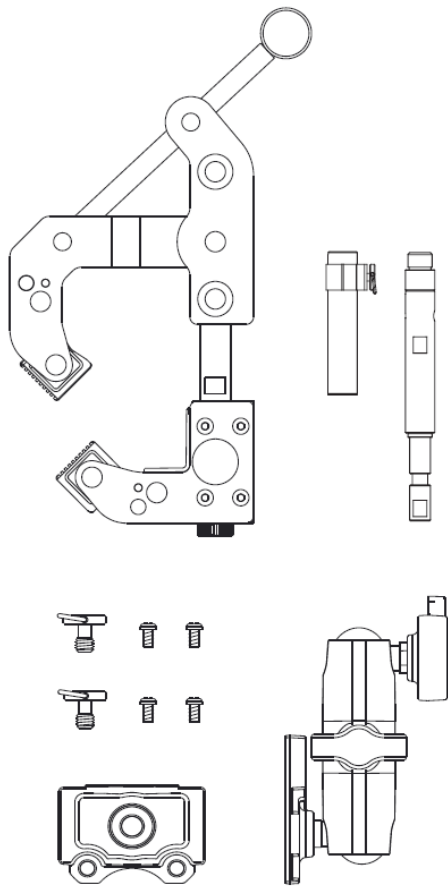


- 2.1. Camera protective housing
- 2.2. Extra battery slot
- 2.3. Camera mounting adapter (pre-install in the camera protective housing)



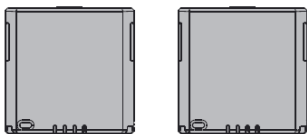
In the Box

3. Camera Clamp Pro - ACC5000



- 3.1. Camera clamp
- 3.2. Extension poles
- 3.3. Magic arm
- 3.4. Quick release adapter
- 3.5. Screws

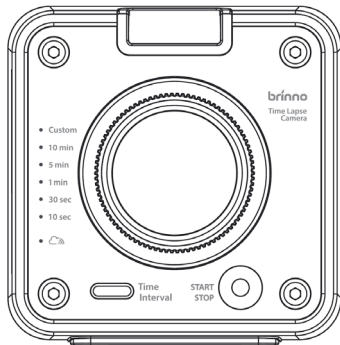
4. Battery Pack - MRB1000



- 4.1. Rechargeable battery pack x2

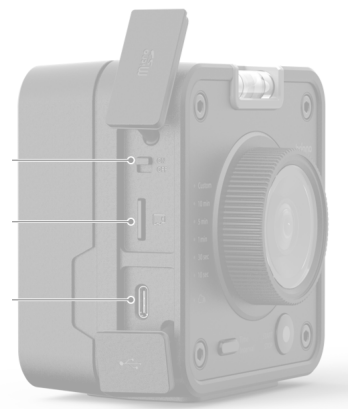
Device Parts

1. Camera



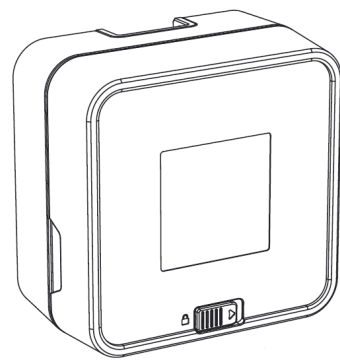
FRONT

- 1.1. Spirit level
- 1.2. Lens
- 1.3. Start/stop button with LED indicator
- 1.4. Time interval button
- 1.5. Tripod mount (size: 1/4")



1.6. SIDE

- 1.7. Power switch
- 1.8. MicroSD card slot
- 1.9. USB-C socket
 - Charging battery (need to turn on camera power)
 - Power supply



BACK

- 1.10. Battery cover
- 1.11. Cover lock
Battery slot

Device Parts

2. Construction Power Housing



FRONT SIDE

FRONT SIDE

- 2.1. Extra battery slot x3
- 2.2. Battery lock
- 2.3. Power-in port (for solar power) (USB-C)
- 2.4. Data transfer port
- 2.5. Door & latch



BACK SIDE

BACK SIDE

- 2.6. Camera mount adapter
- 2.7. External power connector (USB-C)
- 2.8. Door & latch
- 2.9. Tripod mount (size: 1/4")

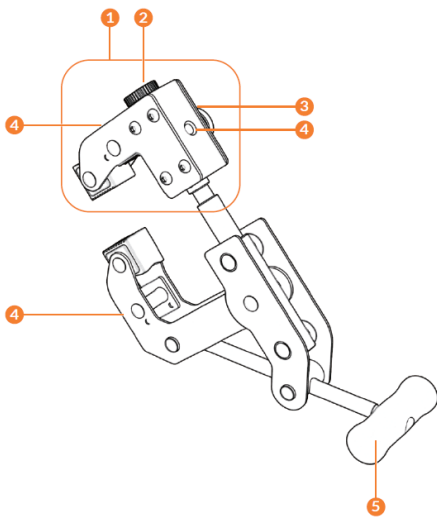
Device Parts

3. Camera Clamp Pro



Magic Arm

- 3.1. Quick release adapter (for camera)
- 3.2. Flex arm knob
- 3.3. Clamp mount

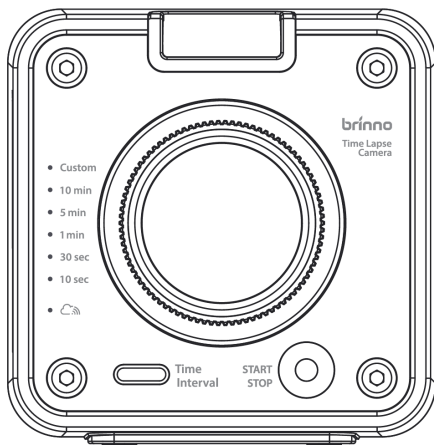


Camera Clamp

- 4.1. Clamp head
- 4.2. Extension pole hole knob
- 4.3. Clamp head knob
- 4.4. Mounting hole (1/4") (x3)
- 4.5. Handle

LED Indicators

1. Camera



1.1 Power/recording status

- GREEN

Solid: Power on

Blinking: Recording

- RED

Solid: No SD card,

Blinking: Low battery, low MicroSD card storage

1.2 Time interval

- GREEN

Solid: Indicated current time interval setting

1.3 Connection status

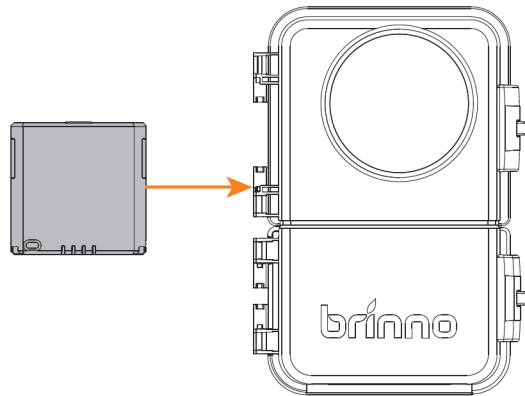
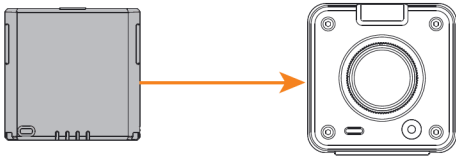
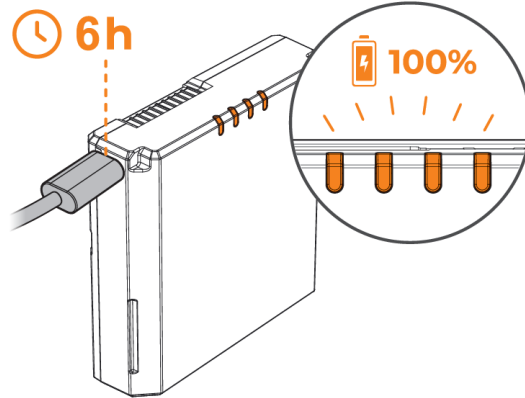
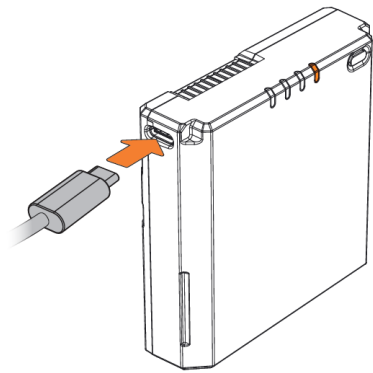
- BLUE

Solid: Camera connected to camera server

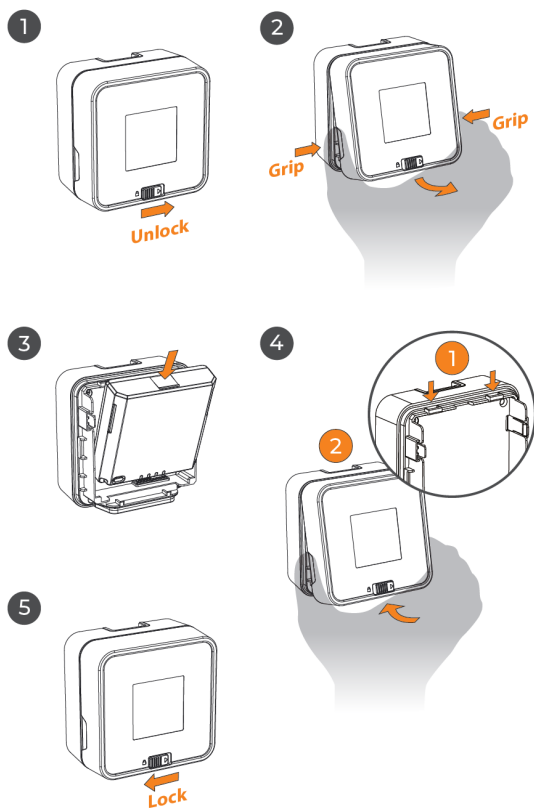
Blinking: Wi-Fi connecting

Initial Setup

Charge Before Use



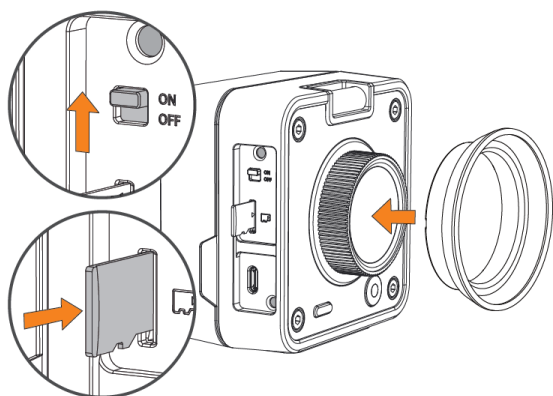
Camera | Installing Battery Pack



1. Unlock the battery cover.
2. Remove the battery cover.
3. Install battery pack.
4. Close the battery cover.
5. Lock the battery cover.

Camera | MicroSD Card & Lens Hood

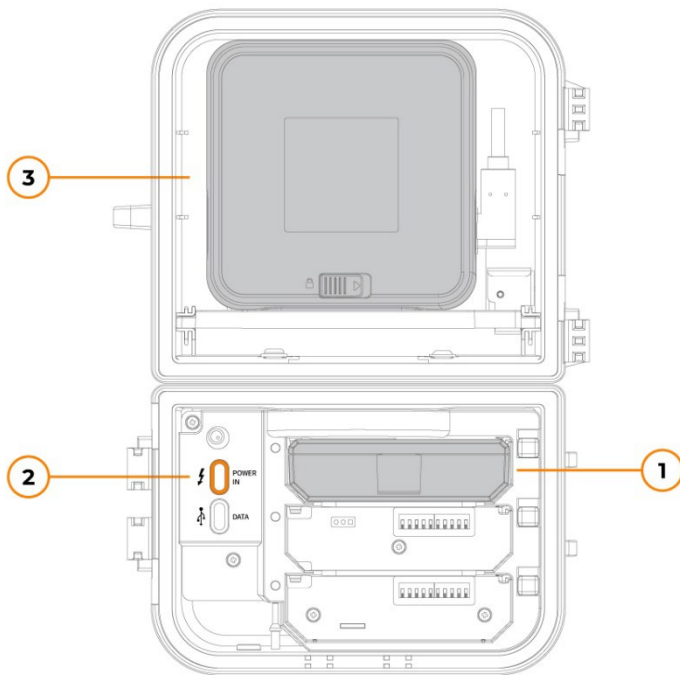
Open the microSD card cover



1. Insert lens hood.
2. Insert microSD card.
3. Turn on camera.

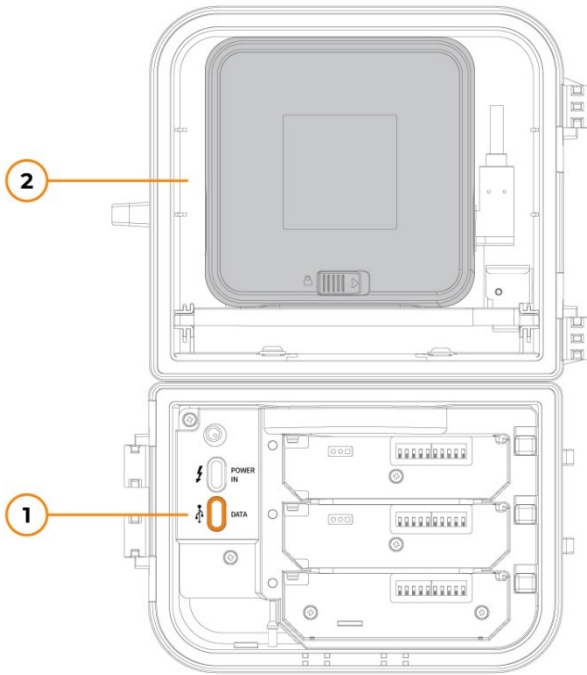
Housing | Charging Battery Pack

The BCC5000 Waterproof Power Box supports two external power supply methods: **Battery-assisted power mode** and **Direct camera power mode**, depending on whether a battery pack is installed.



Battery-assisted power mode

1. Install a **MRB1000** into **Slot 1** of the battery expansion bay.
2. Connect the external power source (such as a solar panel) to the **Power In port**.
3. The external power first charges the battery pack, which then supplies power to the TLC5000 camera.



Direct camera power mode

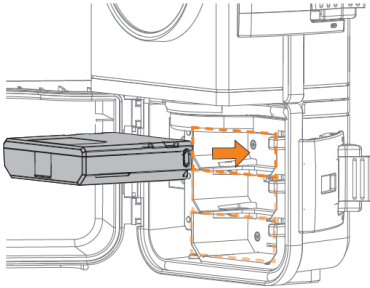
1. Connect the external power source to the **Data port**.
2. The external power will supply power to the TLC5000 camera directly.

Note:

The external power charging status in the MCS is only displayed when using this mode.

Housing | Installing Battery Pack

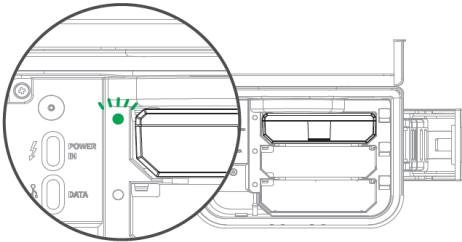
1



Open Battery slot cover

1. Insert the battery pack included in the package*.
2. Green LED lights on meaning the battery pack is installed correctly.
3. Lock the battery pack with battery lock.

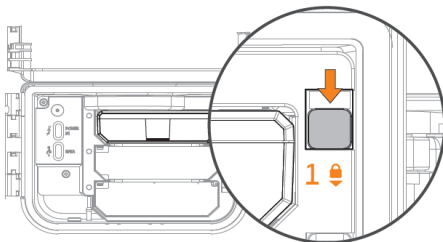
2



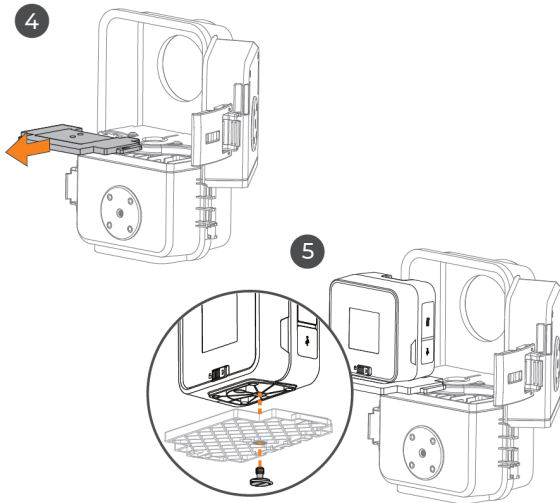
Note:

1. Fully charged before use.
2. Supports up to 3 battery packs in total.

3

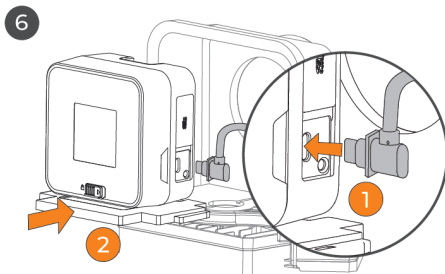


Housing | Installing Camera

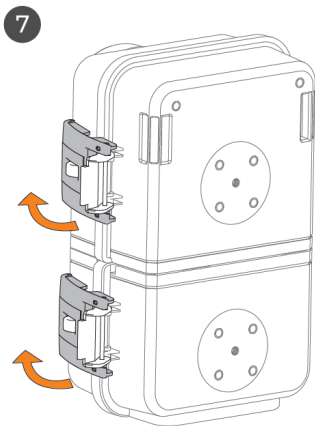


Open CAMERA HOUSING cover

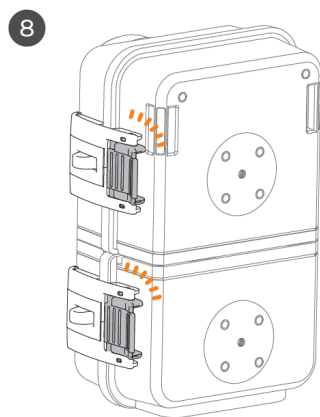
4. Remove the camera mounting adapter.
5. Secure the camera and the adapter with the screw.
6. Open the USB-C cover on the camera, and plug the external power connector into the camera. Then, insert the adapter with the camera attached back into the camera housing.



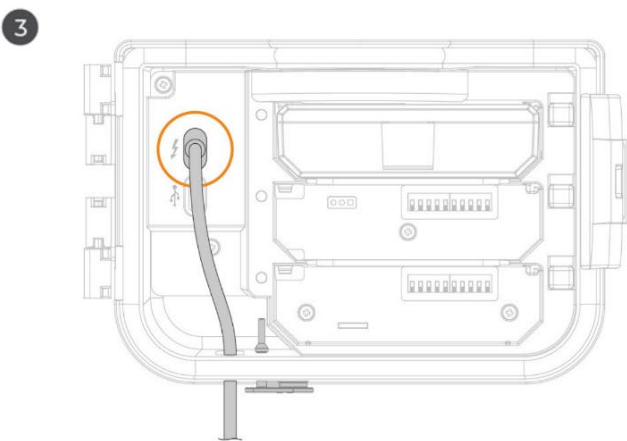
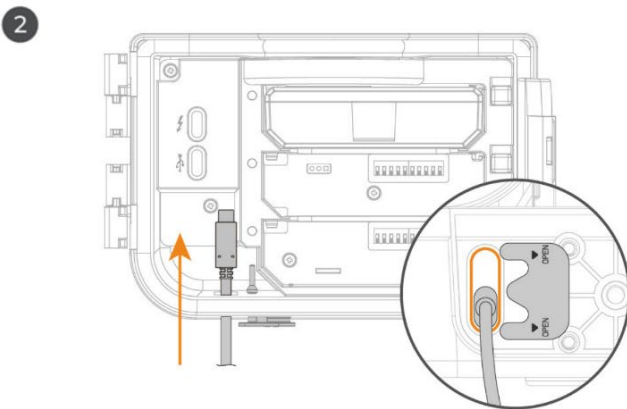
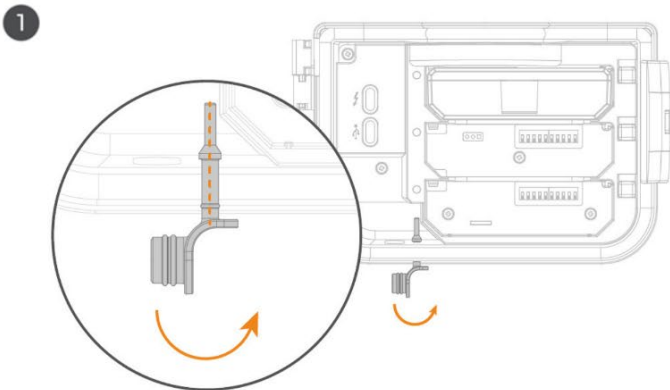
Housing | Locking the Door



7. Secure the door of the housing.
8. Lock the latches, and a "click" sound means correctly installed.



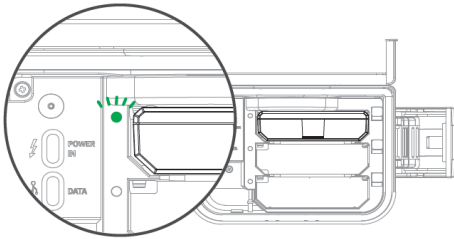
Housing | Solar Power Kit



1. Gently unplug the black rubber located at the bottom of the waterproof housing.
2. Insert the USB-C cable from the ASP1000-P through the cord hole and ensure the cable passes securely through the opening.
3. Plug the USB-C connector into the Power-IN port of the waterproof housing.

Housing | LED Indicators

Construction Power Housing (Battery Slot)



When the battery pack is inserted into the housing, the LED flashes to indicate the battery is connected.

Refer to the following table for LED sign:

LED Color	Status	Meaning	Discharging	Charging
● Green	Solid	Battery available (>15%)	Not in use.	Not charging
	Blinking		Powering camera.	Not charging
● Orange	Solid		Not in use	Charging
	Blinking		Powering camera.	Charging
● Red	Solid	Battery low ($\leq 15\%$)	Not in use	Charging
	Blinking		Barely powering.	Charging
No light	—	No battery or battery empty	Not in use	Not charging

Housing | LED Indicators

Charging Dock Power Management System Overview

1. Battery Discharge Management (1-3 batteries):

- Switches to the battery with the highest charge after one week of use or when battery level drops to 15–20%.
- If all batteries are low, cycles through them evenly while waiting for recharge.

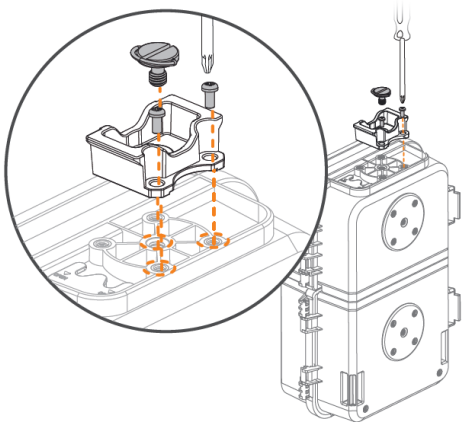
2. Battery Charging Management (1-3 batteries):

- Charges each battery for about one hour before switching to the one with the lowest charge to maximize efficiency.
- Switches within 3 minutes after a battery reaches over 90% charge.
- Batteries above 5% charge join the charging cycle to extend usage during low sunlight periods.

3. Additional Features:

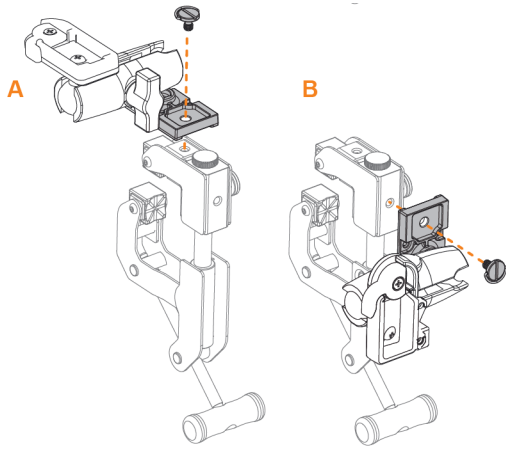
- Supports charging via 5V solar panels, USB Type-C, USB QC 5V, and USB PD 5V.
- For initial setup, charge MRB1000 batteries below 15% for 15–30 minutes before use.
- When not in use, fully charge all batteries before storage.

Clamp | Install Release Adapter



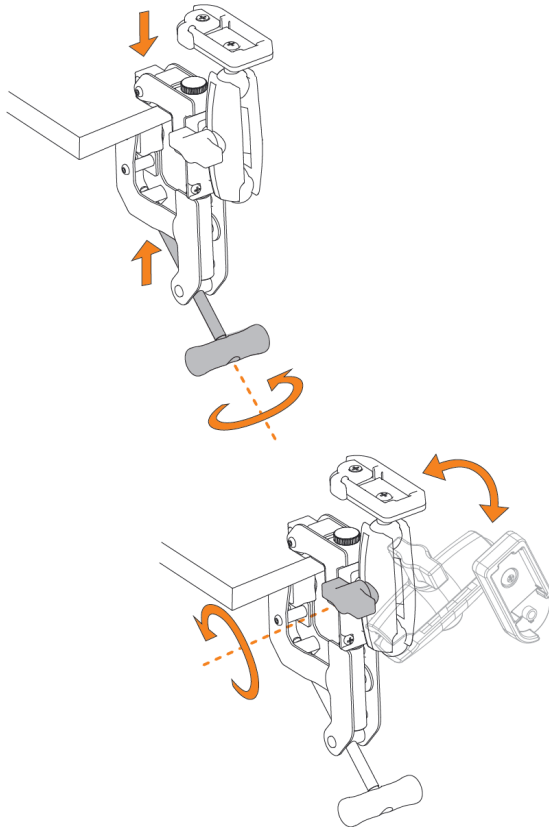
1. Remove the Quick Release adapter from the Magic Arm.
2. Install the Quick Release adapter to the Construction Power Housing with the big screw and two other small screws.

Clamp | Assemble Magic Arm



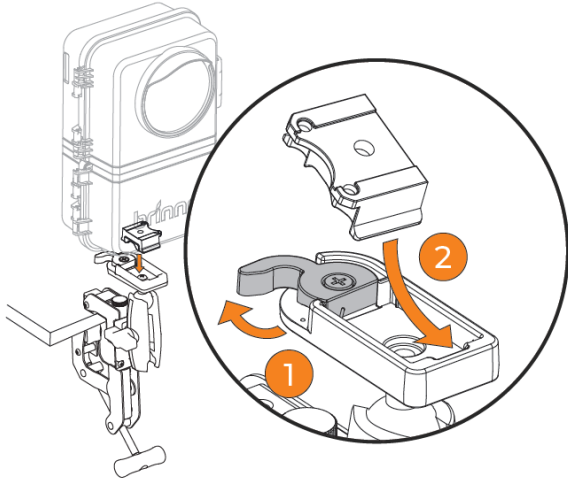
1. Install Magic Arm on the Camera Clamp

Clamp | Assemble

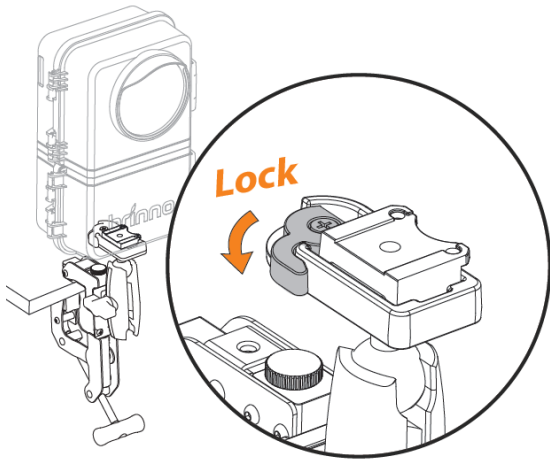


1. Attach Camera Clamp to a desired location, tightening the handle.
2. Adjust Magic Arm to a desired position.

Clamp | Assemble Housing to Clamp

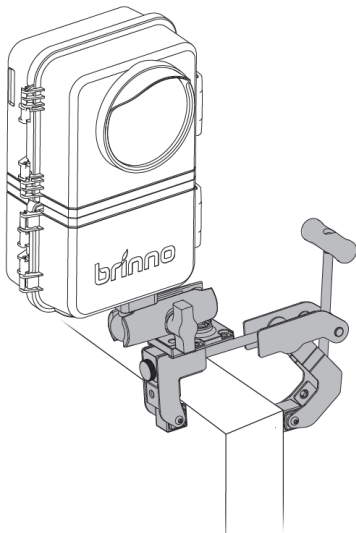
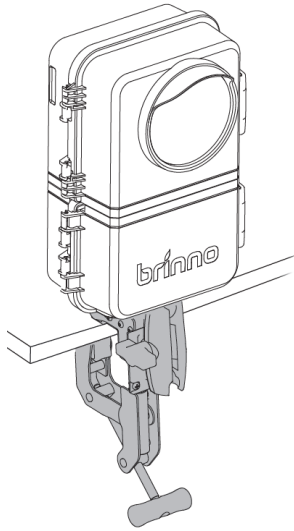


1. Loosen the locking switch.
2. Slide the Quick Release adapter at a tilted angle to secure it.
3. Lock the switch.

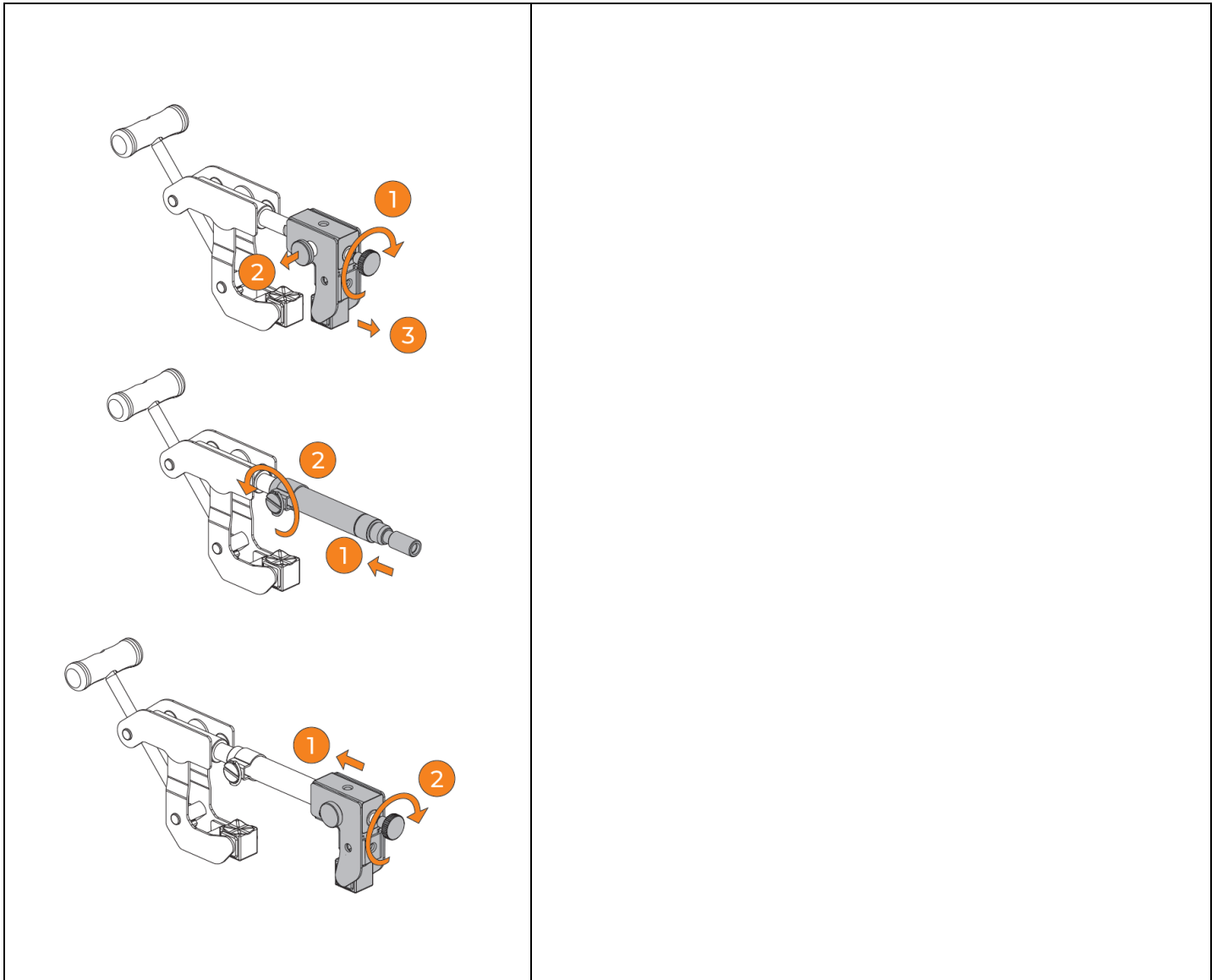


Clamp | Find Your Desired Position

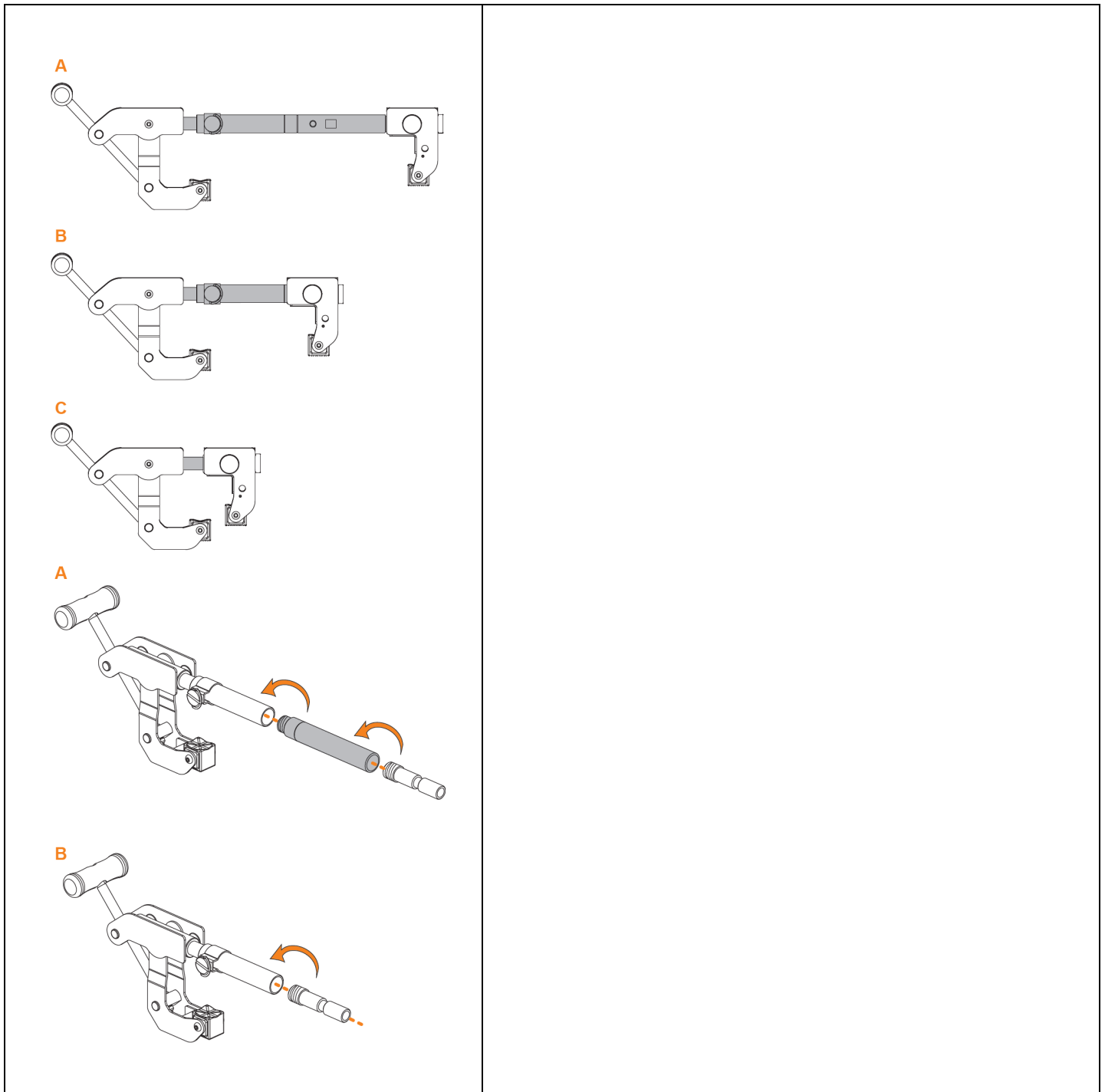
1. Adjust the whole set to find your desired position



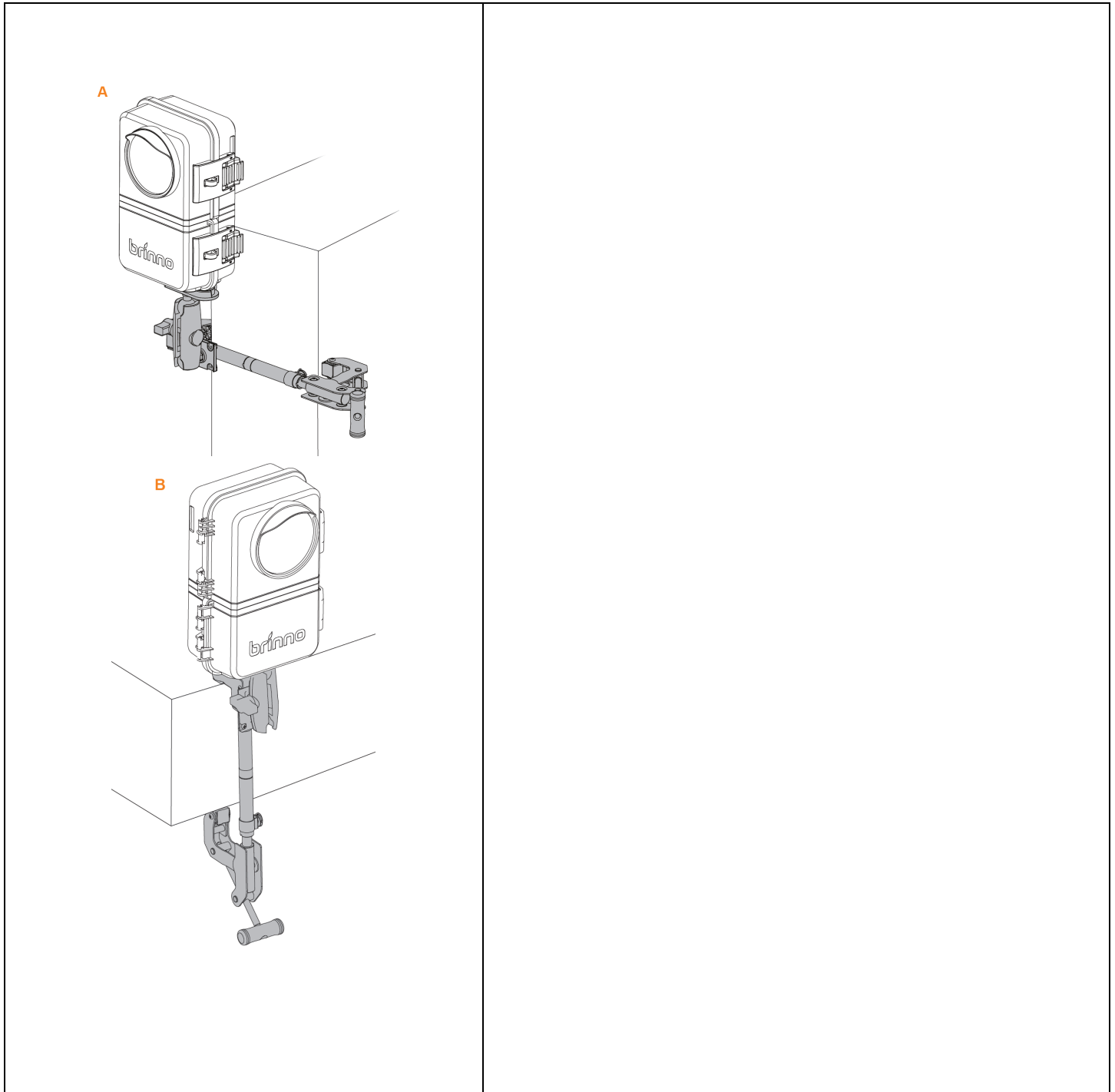
Clamp | Install Extension Pole



Clamp | Install Extension Pole



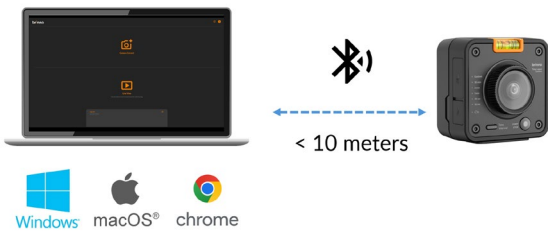
Clamp | Install Extension Pole



Operating Methods

3 Operating Methods

The camera (TLC5000) can be operated through the following methods:



1. Bluetooth operation (initial setup, local control)

- Initial camera setup.
- Short-term project.
- Local control.
- Laptop or desktop.



[Camera Control Center \(CLICK HERE\)](#)



2. Wi-Fi operation (remote control)

- Completed Wi-Fi setting thru Bluetooth operation.
- Long-term project.
- Remote control.
- Phone, tablet, laptop or desktop.



[Multi-Camera System \(CLICK HERE\)](#)

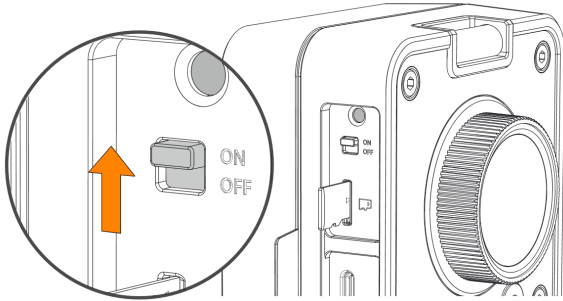


3. On-Camera operation

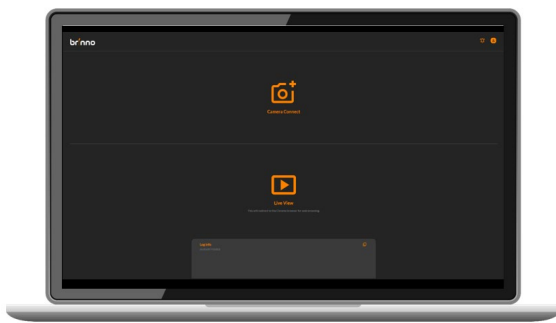
- Select desired time interval.
- Start/stop recording.

Bluetooth Operation

Bluetooth Operation



Turn on the camera.



Using Google Chrome to access the following web app on your laptop or desktop*.

 [Camera Control Center \(CLICK HERE\)](#)

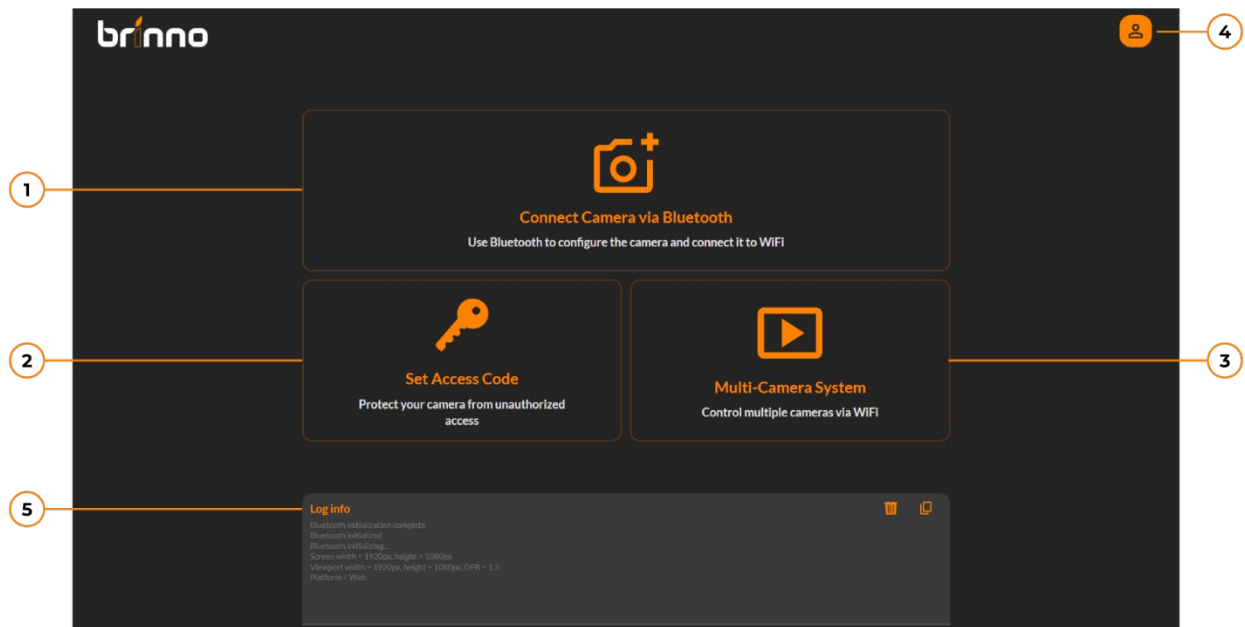
Note: Make sure Bluetooth function on your laptop or desktop is enabled.



Requirements:

- Laptop or desktop with Bluetooth function
- Operating system: Windows or macOS
- Web browser: Google Chrome
- Connecting range: Within 10 meters.

Bluetooth | Home Page



1. Camera Connect

Connect camera through Bluetooth (BLE) for initial setup.

2. Multi-Camera System

Once the camera is connected to camera server through Wi-Fi, you can manage your cameras remotely.

3. Set Access Code

Set an access code to prevent unauthorized wireless access to the camera.

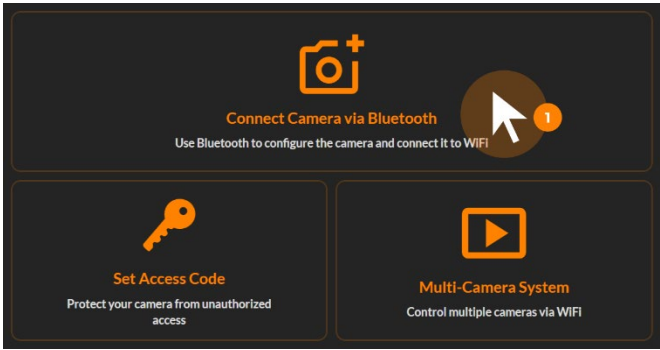
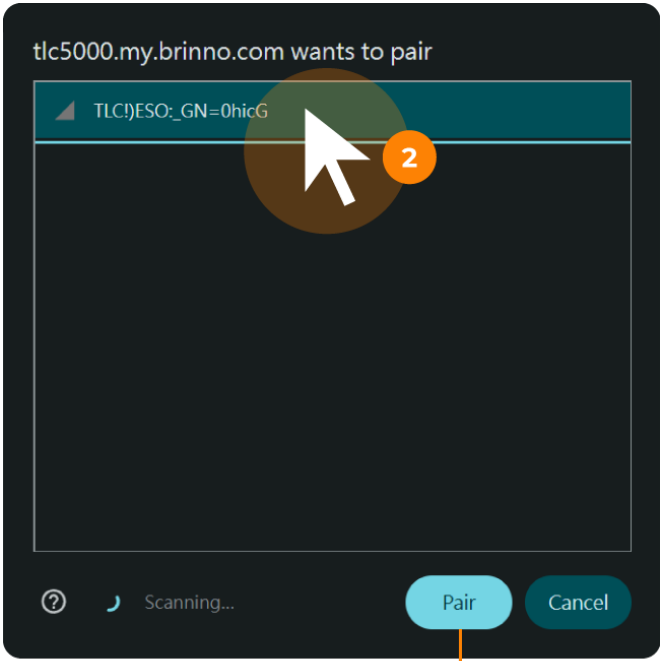
4. Account Setting

Login/sign up, push notifications, language setting, help center.

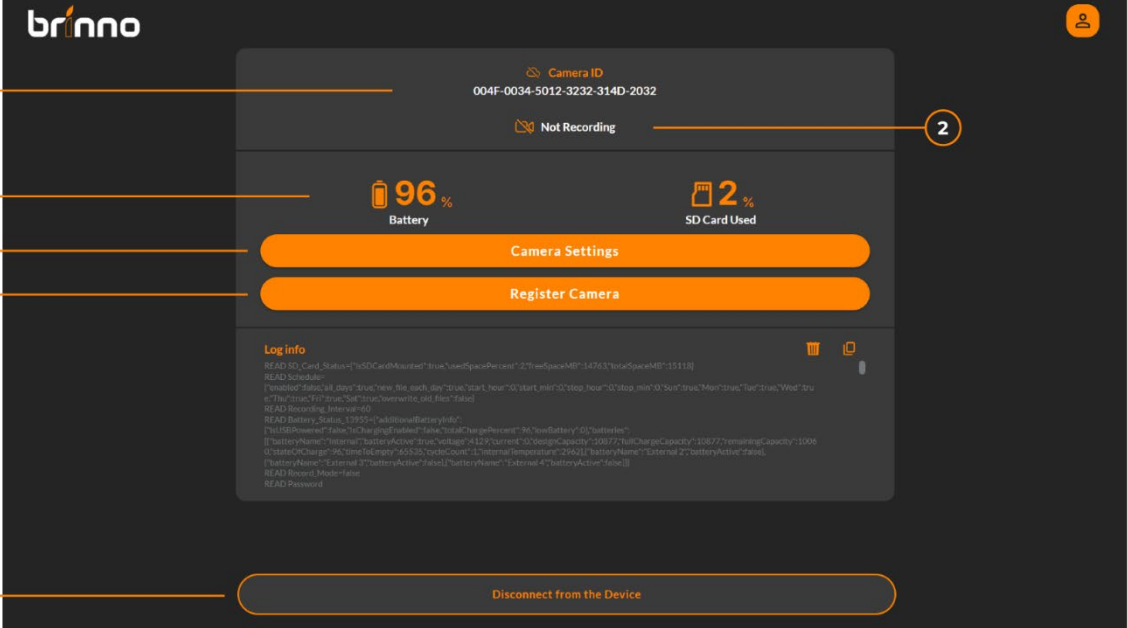
5. Log info

Display all camera log info for internal analytics.

Bluetooth | Camera Connect

	<p>1. Click Camera Connect.</p>
	<p>2. Find the camera with the unique Bluetooth ID. *Every camera has a unique Bluetooth ID.</p> <p>3. Click Pair.</p>

Bluetooth | Camera Status

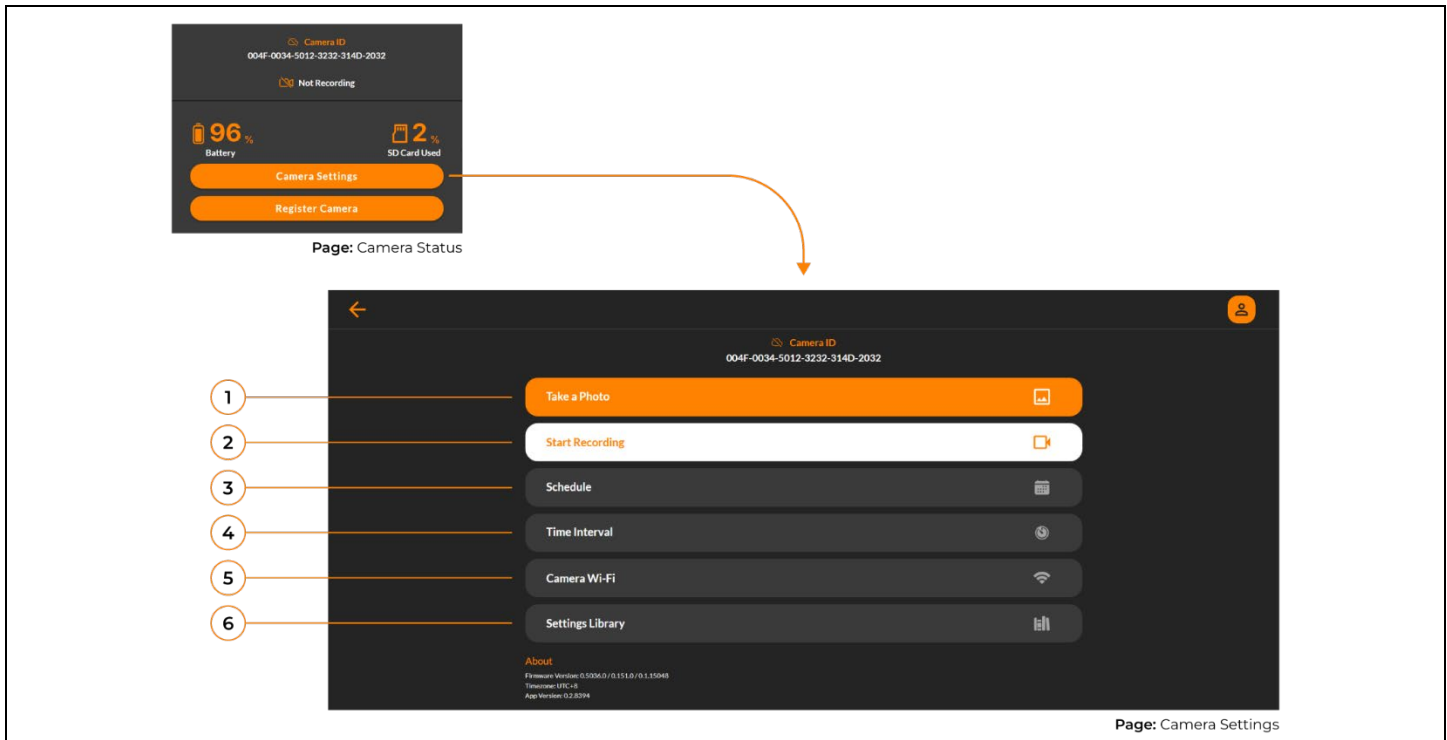


The screenshot shows the Brinno camera status interface. At the top left is the Brinno logo. At the top right is a user profile icon. The main content area is divided into several sections: 1. Camera ID: 004F-0034-5012-3232-314D-2032. 2. Recording Status: Not Recording. 3. Battery: 96%. 4. SD Card Used: 2%. 5. Two orange buttons: Camera Settings and Register Camera. 6. Log info: A scrollable list of log entries. At the bottom is a Disconnect from the Device button.

Once connected via Bluetooth, the browser will display the camera status.

1. Camera ID
2. Camera recording status
3. Camera battery & SD card capacity
4. Camera settings
5. Register Camera
6. Disconnect camera

Bluetooth | Camera Settings



Click **Camera Settings**, go to setting page:

1. Take a Photo

The camera will send one photo through Bluetooth.

2. Start Recording

Start/stop recording with Camera Control Center.

3. Schedule Setting

Set daily & weekly capture schedule.

4. Time Interval

Set time interval.

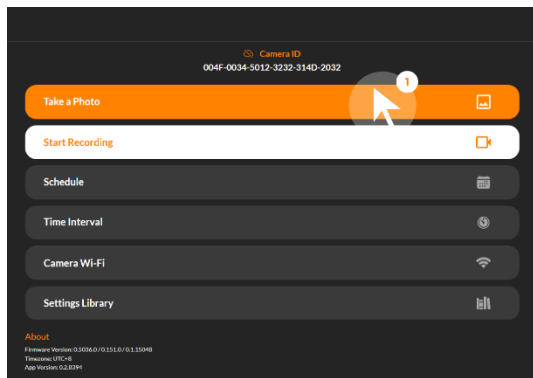
5. Camera Wi-Fi

Setup Wi-Fi connection to the camera for remote control.

6. Setting Library

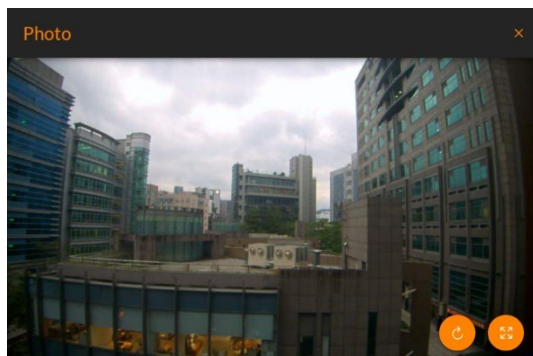
Save the camera's current settings for later reference.

Bluetooth | Take a Photo (adjust camera view angle)



1. Click **Take a Photo**.

Camera instantly captures the present frame and sends to Camera Control Center.



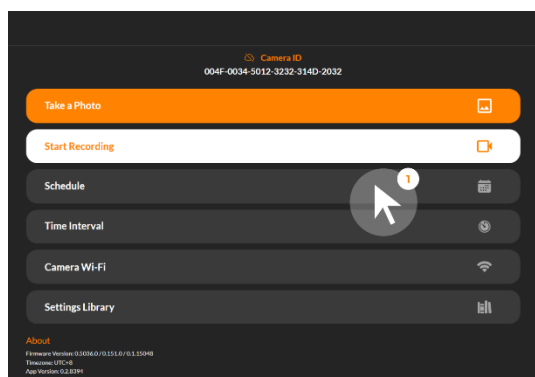
2. Check camera view angle.

Adjust camera view angle, and click **Reload** to receive updated frame.

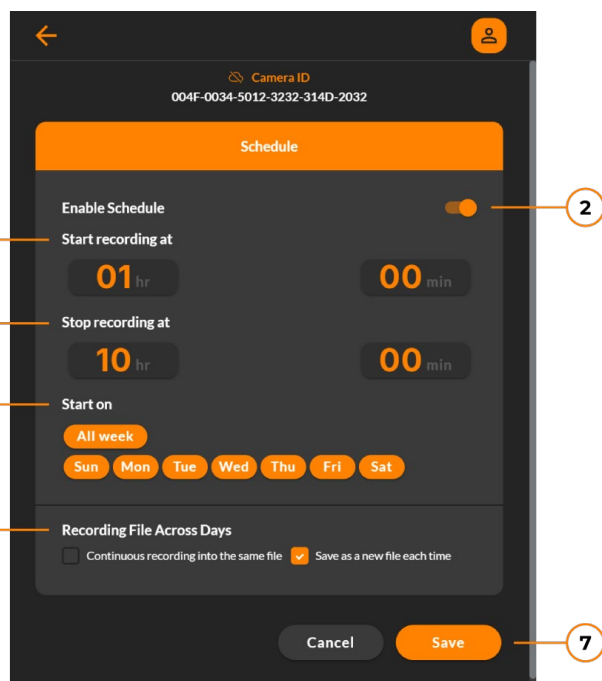
Note:

Take a Photo is unavailable when the camera is recording.

Bluetooth | Schedule Setting (daily & weekly recording schedule)



1. Click **Schedule**.



2. **Enable/disable Schedule.**

3. **Select Start Recording Time.**

4. **Decide Stop Recording Time.**

5. **Schedule Days**

Select desired recording days of week.

6. **File Split**

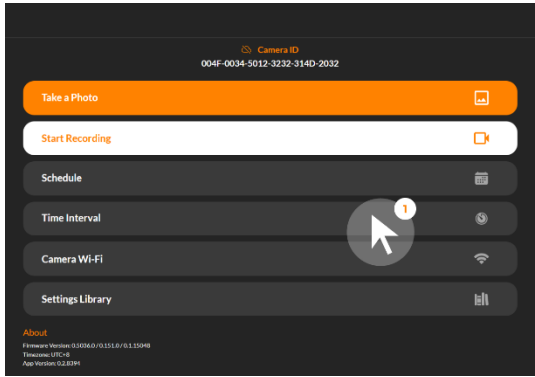
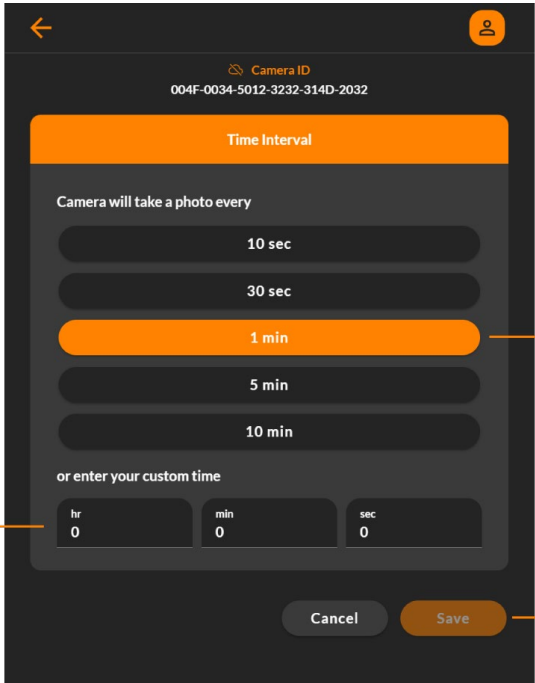
- **Continuous:** Camera will automatically combine several days of recording into a single file.

- **Daily:** Every daily recording produces a single **daily video file**.

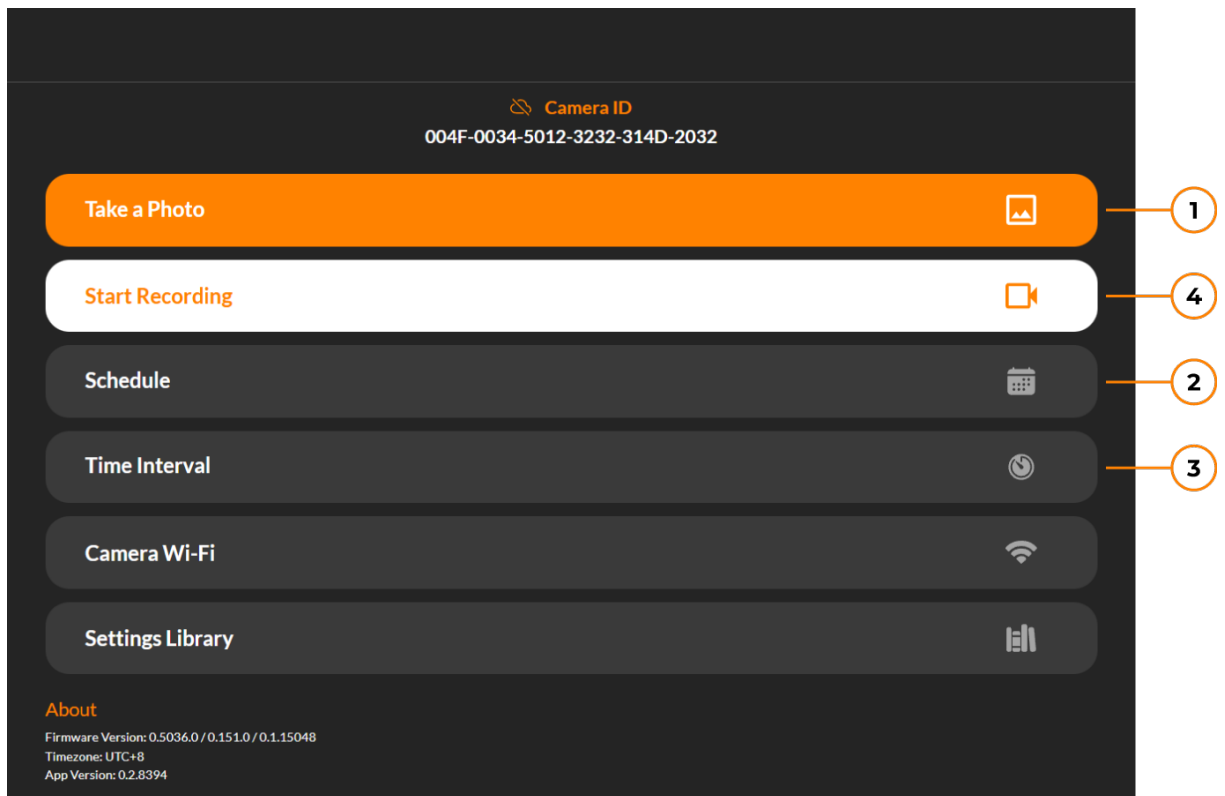
*File exceeding 500mb will be split into multiple files.

7. Click **Save** to save settings.

Bluetooth | Time Interval

	<p>1. Click Time Interval Setting.</p>
	<p>2. Select desired time interval, or customize time interval according to your need.</p> <p>3. Click Save to save settings.</p>

Bluetooth | How to Start a Time Lapse Recording

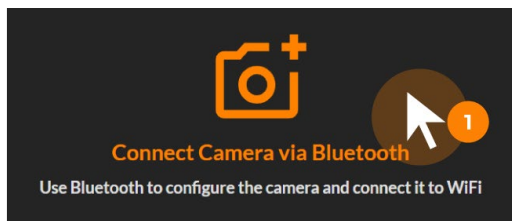


1. Take a photo to confirm camera view angle.
2. Set daily & weekly recording schedule.
3. Set desired time interval.
4. Start your time lapse recording.

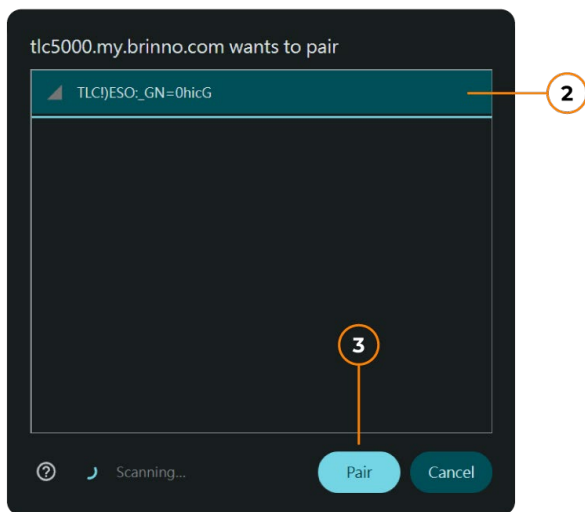
Note:

To access the recorded video file, visit the Multi-Camera System for download.

Bluetooth | How to Check Camera Status During Recording



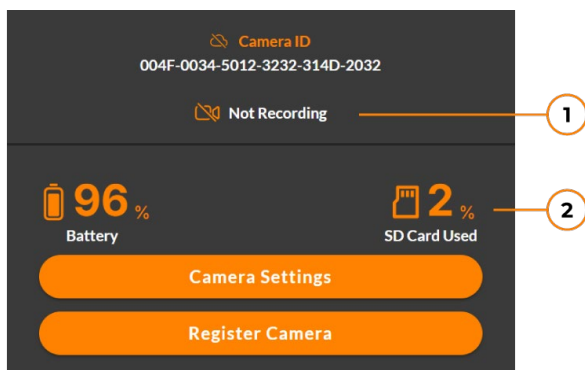
Page: Camera Settings



Page: Bluetooth Device Chooser
@Chrome Browser

Go to [Camera Control Center \(CLICK HERE\)](#)

1. Click **Camera Connect**.
2. Find the camera with the unique Bluetooth ID.
3. Click **Pair** button.



Page: Camera Status

At Camera Status page

1. Indicate the camera is recording.
2. Check battery & SD card capacity .

Bluetooth | Add Camera to Your Account

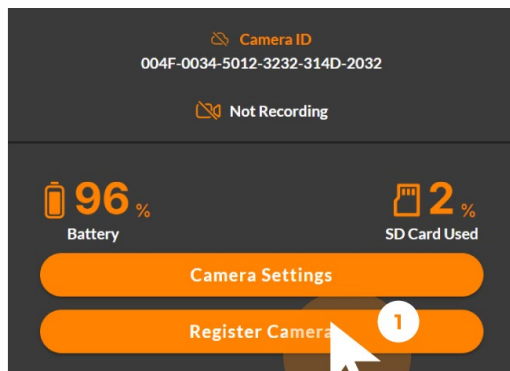
Adding a camera to your account means you can remote control all your cameras, it will require two steps:

Step 1. Sign up/login to your account.

Step 2. Setup Wi-Fi connection to the camera.

Note:

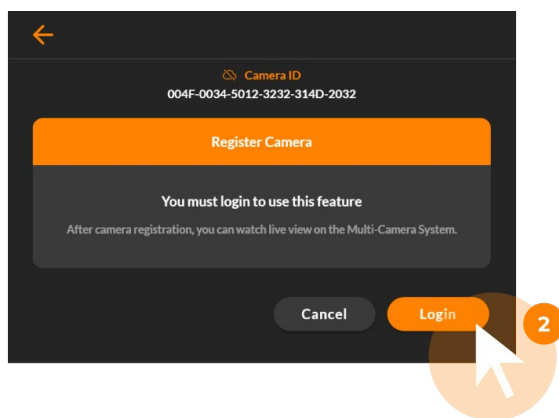
At this process, your laptop/desktop & camera need to connect to a stable Wi-Fi.



Page: Camera Status

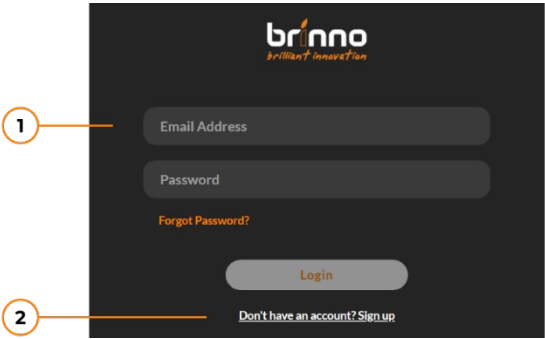
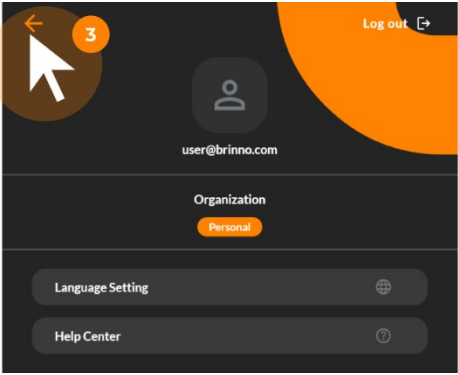
After connecting the camera through Bluetooth.

1. Click **Register Camera**.

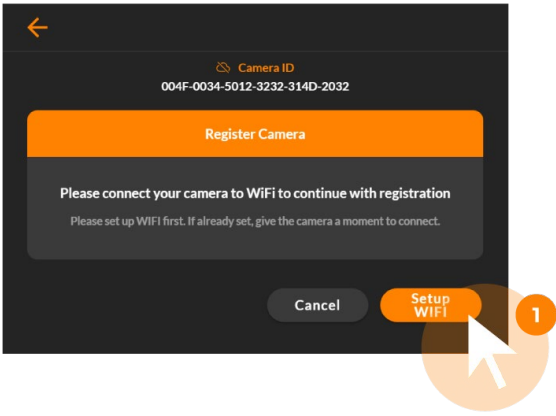
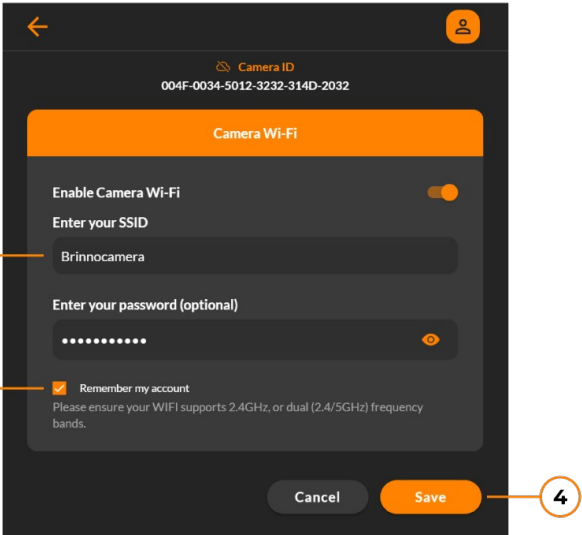
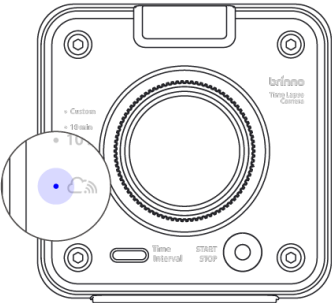


2. **Sign up/login** your account.

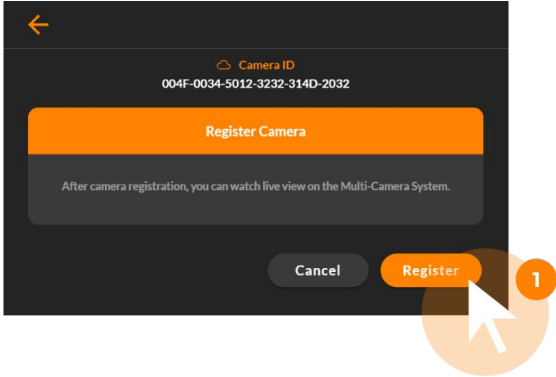
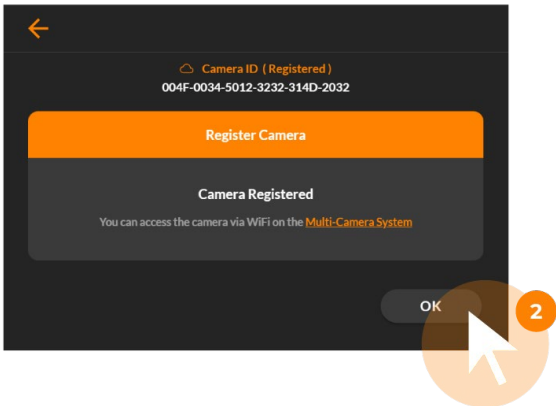
Bluetooth | Sign up/login Your Account

	<ol style="list-style-type: none">1. Login: If you already have an account.2. Sign up: Create a new account.
	<ol style="list-style-type: none">3. After completed account login/sign up, return to register camera page.

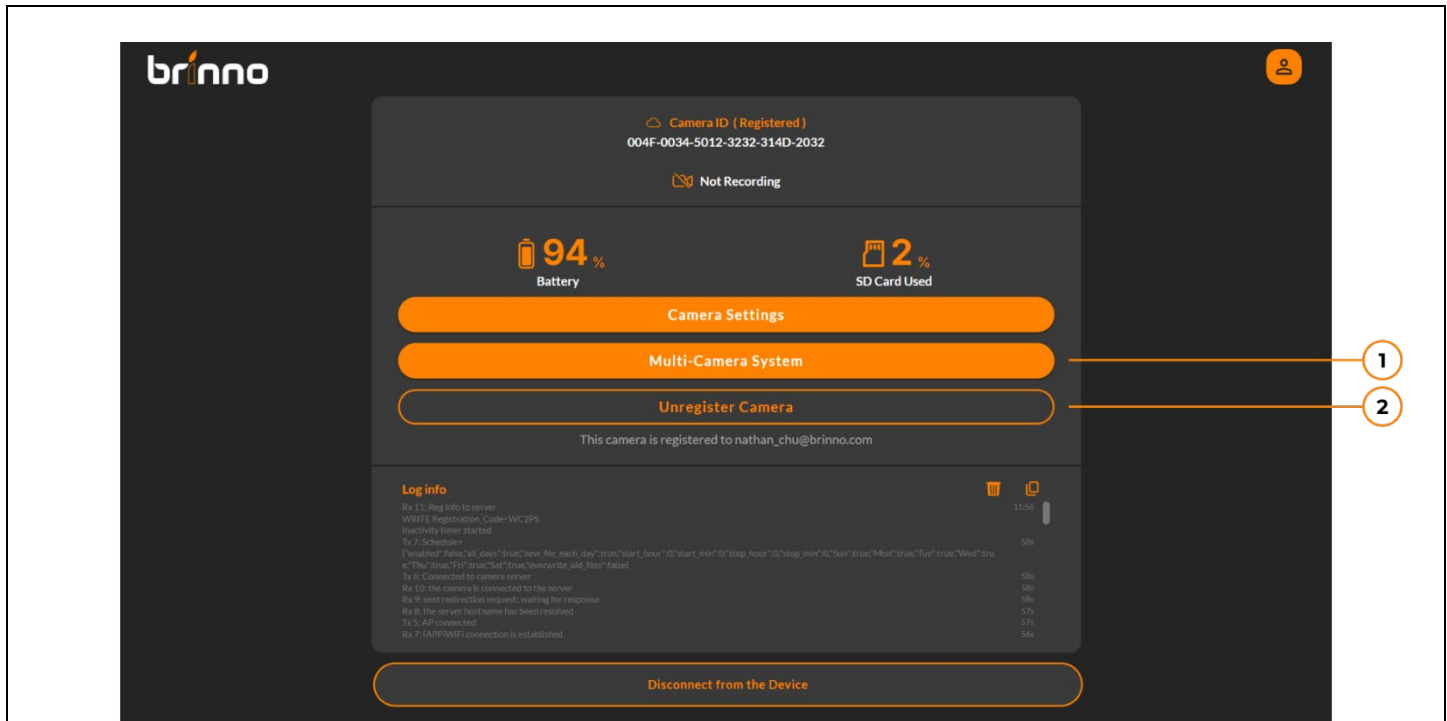
Bluetooth | Set Camera Wi-Fi

	<h3>At Register Camera Page</h3> <ol style="list-style-type: none">1. Click Setup Wi-Fi.
	<ol style="list-style-type: none">2. Enter your Wi-Fi name (SSID) & password. Note: Please ensure your Wi-Fi supports 2.4 GHz or Dual (2.4/ 5 GHz) frequency bands.3. Select Remember my account.4. Click Save to save settings.
	<p>The Blue LED blinks while connecting to Wi-Fi, and turns solid when the connection completes.</p>

Bluetooth | Register Camera

	<p>While camera is connected to Wi-Fi</p> <ol style="list-style-type: none">1. Click <i>Register</i>.
	<ol style="list-style-type: none">2. Camera Registered.

Bluetooth | Register Completed



Once the camera is registered, you can use the following functions:

1. Multi-Camera System

Remote control all your registered cameras through Brinno cloud platform.

2. Unregister Camera

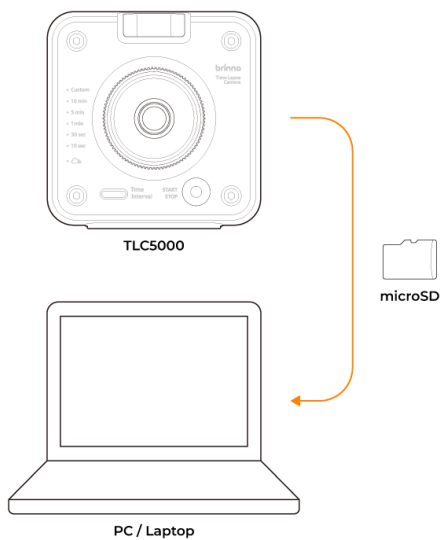
Remove the registered camera from your account.

Bluetooth | Add Access Code

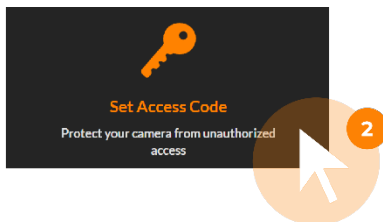
Adding an access code to your camera protects it from being accessed by others without the code.

Note:

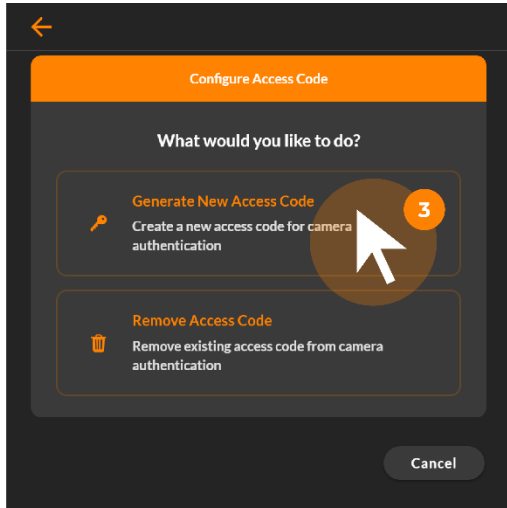
This step applies only to cameras *without authorization settings*.



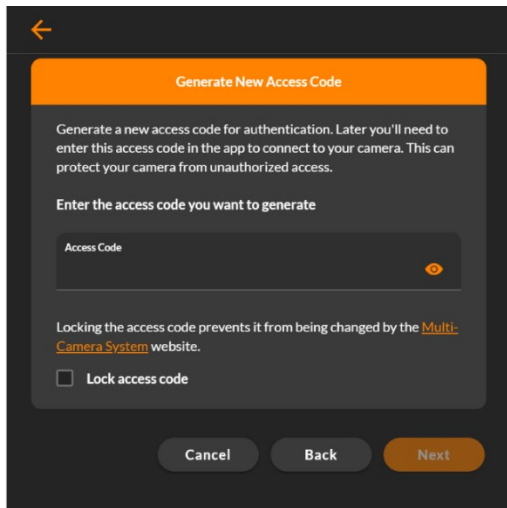
1. Remove the camera's SD card and insert it into your PC/Laptop.



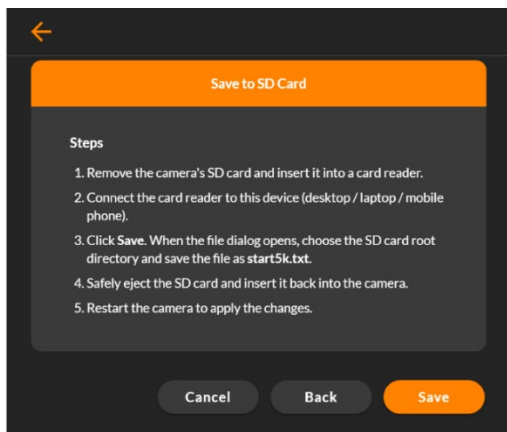
2. Go to [Camera Control Center \(BLE app\)](#), and click **Set Access Code**.



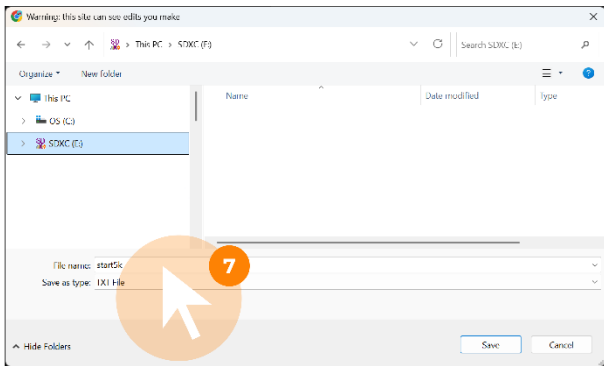
3. Click **Generate New Access Code**.



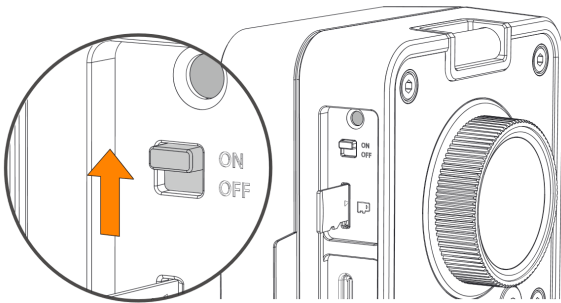
4. Enter your customize access code.



5. Click **Save**.



6. Choose the SD card root directory.
7. Save the file as *start5k.txt*

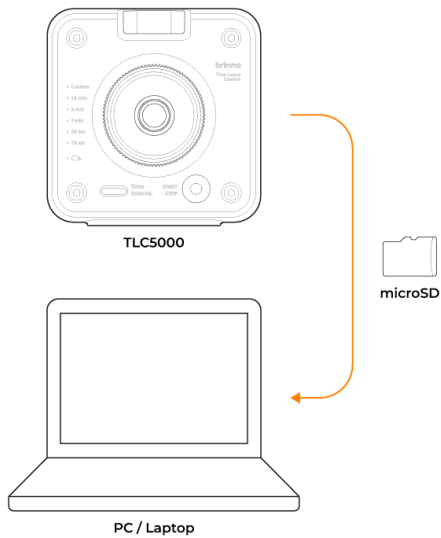


8. Insert the SD card into the camera.
9. Power on the camera, and wait for the update.

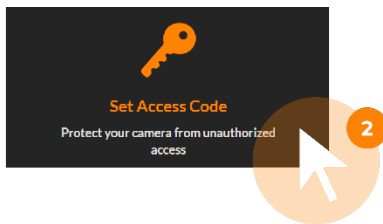
Bluetooth | Remove Access Code

Note:

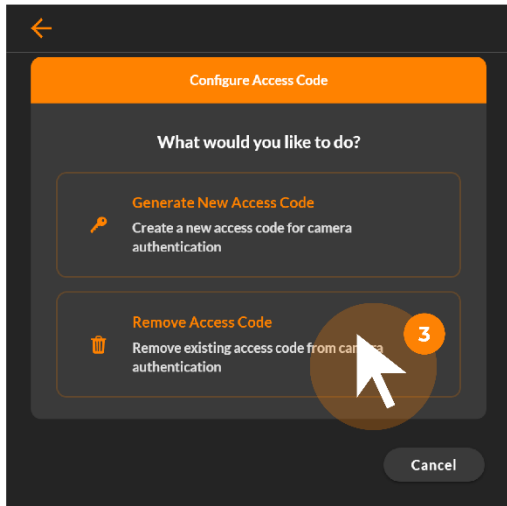
This step applies only to cameras that have *already been authorized*.



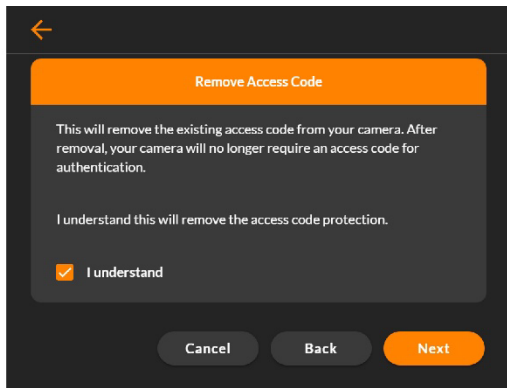
1. Remove the camera's SD card and insert it into your PC/Laptop.



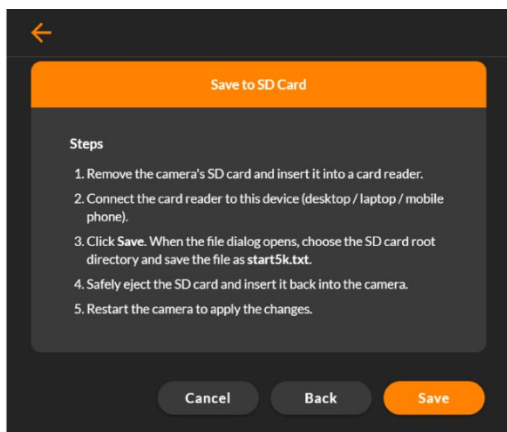
2. Go to [Camera Control Center \(BLE app\)](#), and click **Set Access Code**.



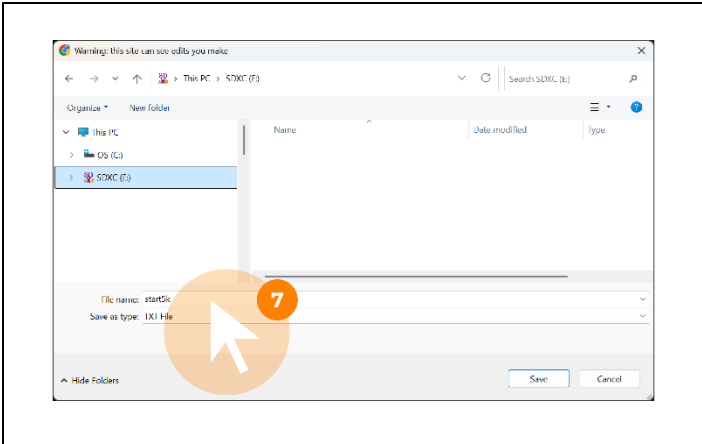
3. Click **Remove Access Code**.



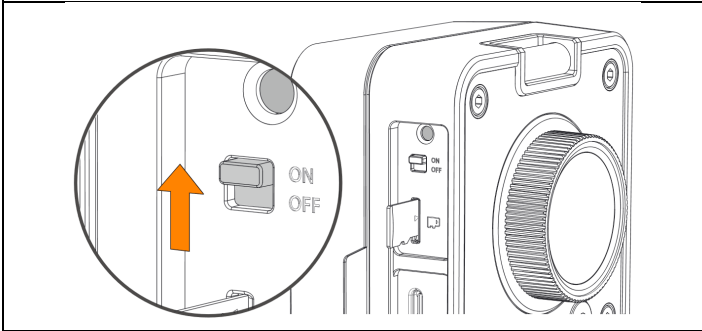
4. After reading, select **"I understand"** to continue.



5. Click **Save**.



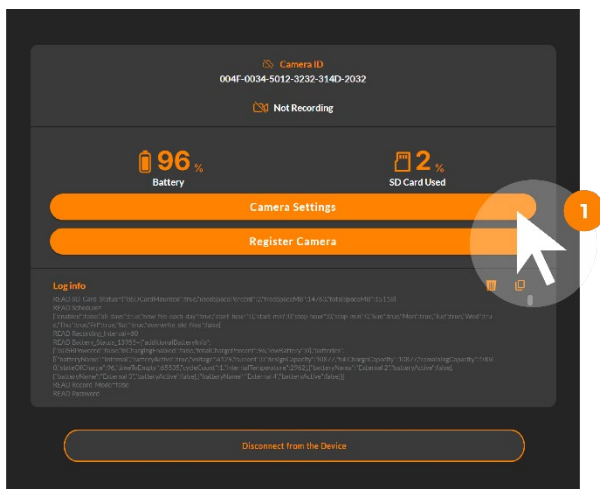
6. Choose the SD card root directory.
7. Save the file as *start5k.txt*



8. Insert the SD card into the camera.
9. Power on the camera, and wait for the update.

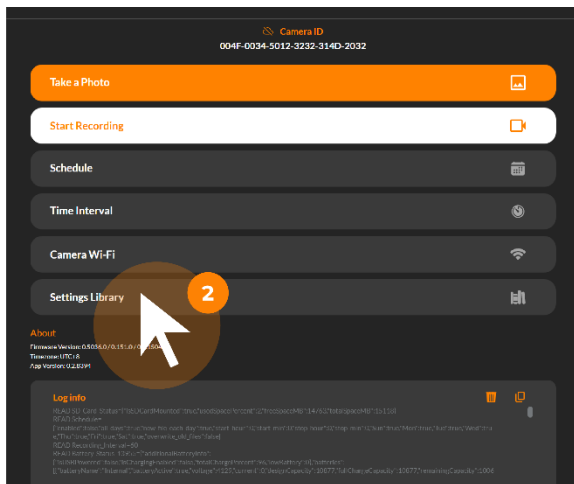
Bluetooth | Setting Library

This function allows camera settings to be exported as a text file (TXT) and reused to apply the same configuration to multiple cameras at once, including parameters such as the shooting interval and Wi-Fi credentials.

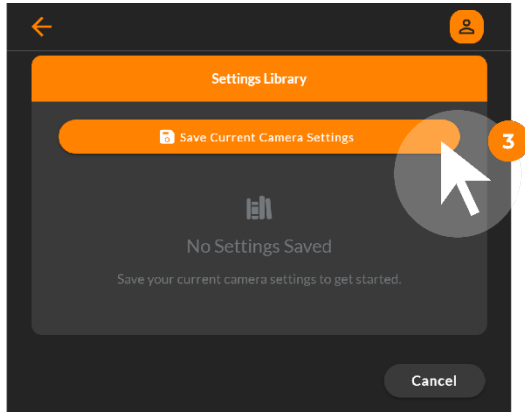


Go to [Camera Control Center \(BLE app\)](#), and **Connect to Your Camera.**

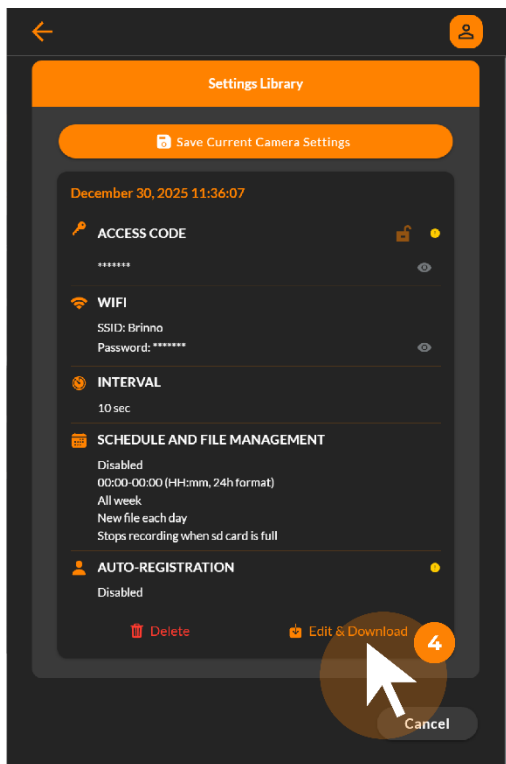
1. Click **Camera Setting.**



2. Click **Setting Library.**



3. Click **Save Current Camera Settings** to collect and display all current camera settings in one list.



4. Select **Edit & Download** to export the displayed settings as a **TXT file**.

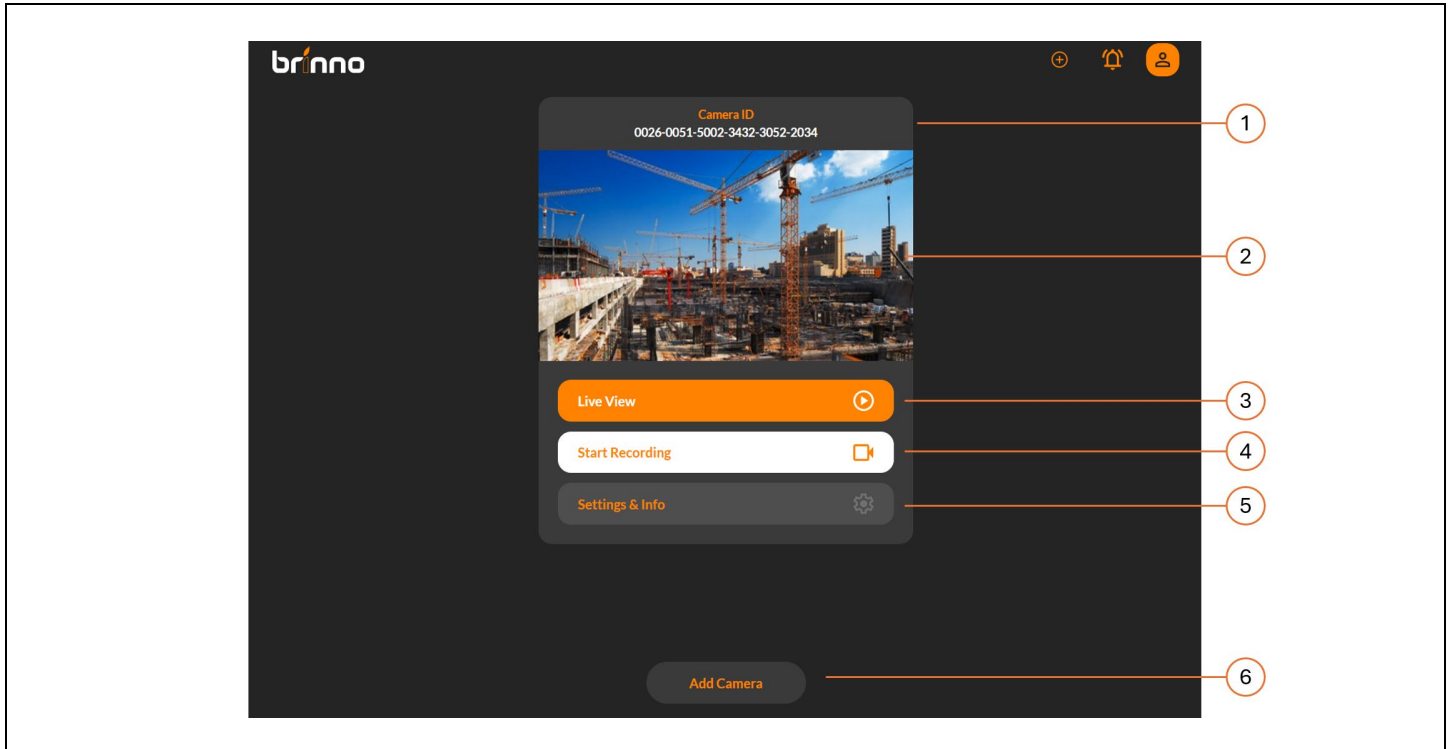
Note: The exported TXT file can be used to apply the same camera settings to multiple cameras. Please follow the in-app instructions for further steps.

Wi-Fi Operation

Wi-Fi Operation

	<p>Mount construction camera at desired position.</p>
	<p>Using any browser to access the following web app on your mobile devices, laptop or desktop.</p> <p> Multi-Camera System (CLICK HERE)</p> <p>Note:</p> <p>Make sure all devices are connected to Wi-Fi or LTE.</p>

Wi-Fi | Initial Page



At Multi-Camera System home page [Multi-Camera System \(CLICK HERE\)](#)

1. Camera ID

Camera unique ID.

2. Live view Screen

Displays the live stream from the camera.

3. Live View Button

Activate the live view mode.

4. Start/stop Recording

Start or stop a time lapse project recording.

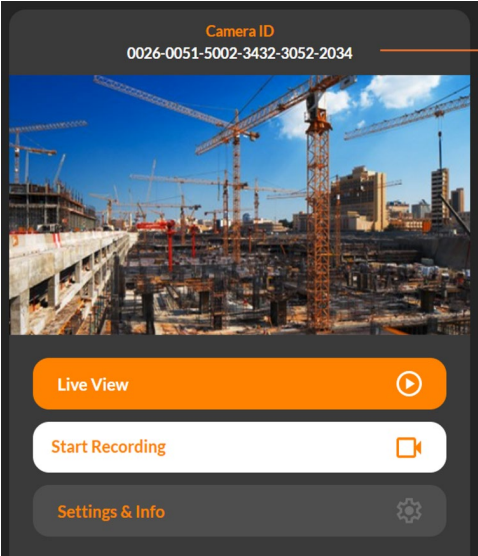
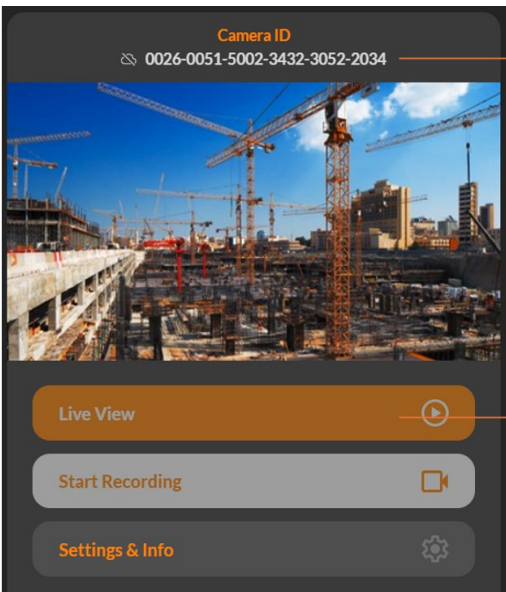

5. Camera Setting & Info

Access and adjust camera settings, check battery level, manage SD card storage, and update camera firmware.

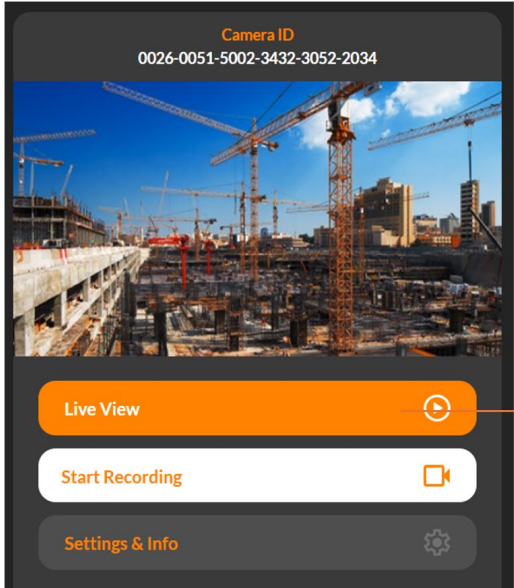
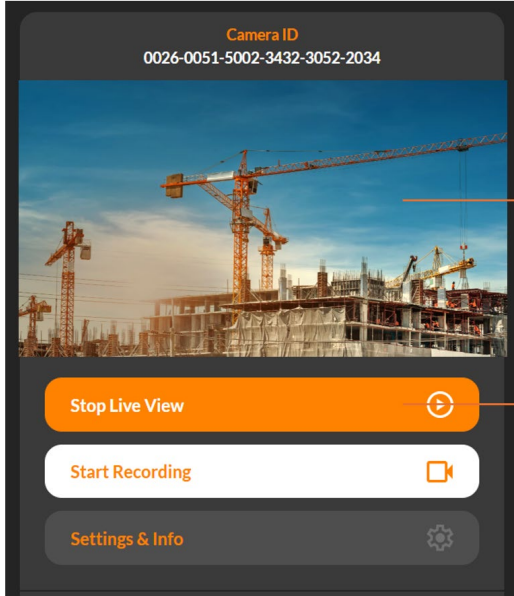
6. Add Camera

Add additional cameras to your account (Redirect to **Bluetooth Operation** web page).

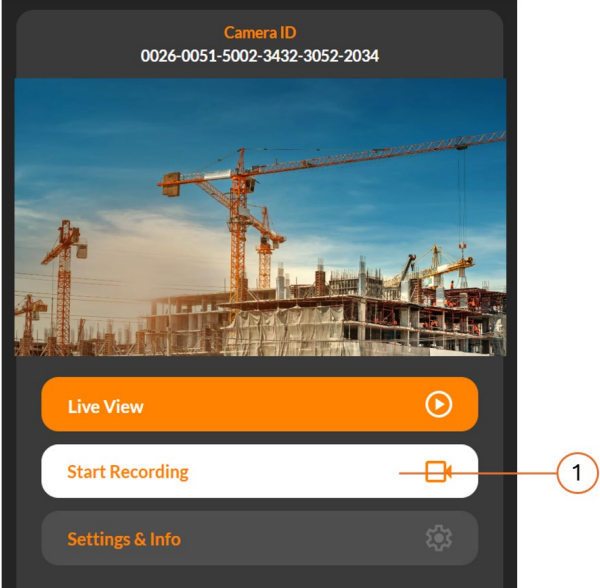
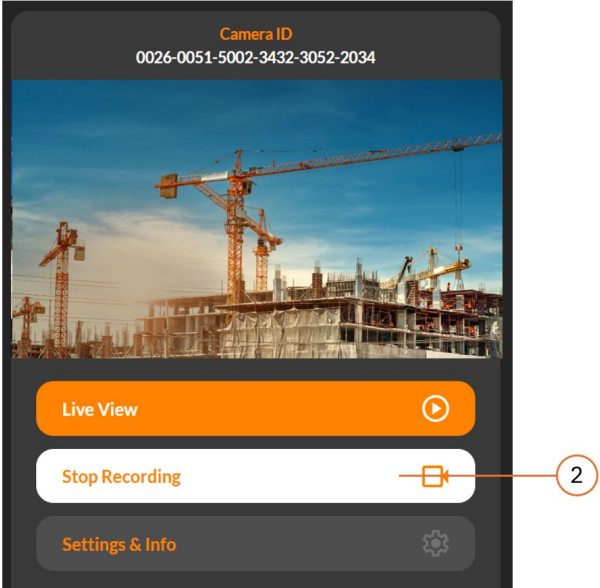
Wi-Fi | Camera ID

 <p>1</p> <p>The screenshot shows the camera app interface. At the top, it displays 'Camera ID' followed by the unique ID '0026-0051-5002-3432-3052-2034'. Below this is a live video feed of a construction site. At the bottom, there are three buttons: 'Live View' (orange), 'Start Recording' (white), and 'Settings & Info' (grey). A red circle with the number '1' points to the Camera ID text.</p>	<p>1. Camera ID</p> <p>Each camera has a unique Camera ID, which can also be found on the label included in the package.</p>
 <p>2</p> <p>3</p> <p>The screenshot shows the camera app interface in a disconnected state. At the top, it displays 'Camera ID' followed by the unique ID '0026-0051-5002-3432-3052-2034' and a disconnected status icon (a square with a diagonal line). Below this is a live video feed of a construction site. At the bottom, there are three buttons: 'Live View' (orange), 'Start Recording' (grey), and 'Settings & Info' (grey). A red circle with the number '2' points to the disconnected status icon, and a red circle with the number '3' points to the Live View button.</p>	<p>2. Connection Status</p> <p>If the Disconnected  icon appears next to the Camera ID, it means the camera's Wi-Fi connection is disconnected.</p> <ul style="list-style-type: none">• Please wait a few seconds and try logging into the Wi-Fi Operation web app again.• If the issue persists, check the camera and Wi-Fi signal for possible problems. <p>3. Disconnection</p> <p>When disconnected, Live View and Start Recording functions will be unavailable.</p>

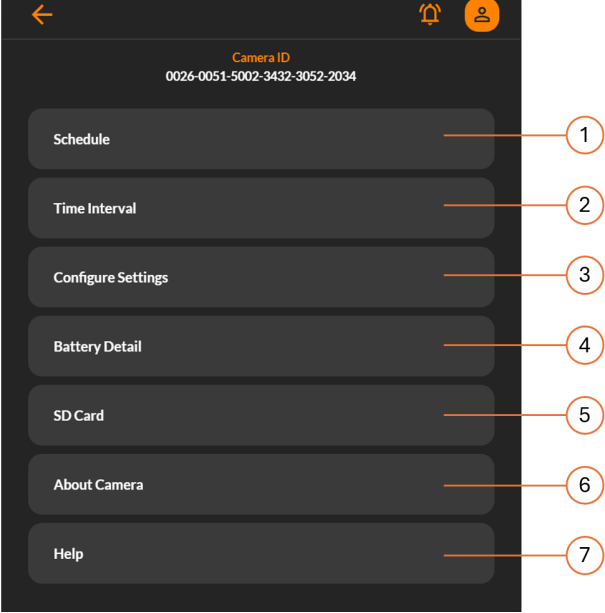
Wi-Fi | Live View

 <p>The screenshot shows the camera app interface. At the top, it displays 'Camera ID' and the ID number '0026-0051-5002-3432-3052-2034'. Below this is a live video feed of a construction site with cranes. At the bottom, there are three buttons: 'Live View' (highlighted with a circled '1'), 'Start Recording', and 'Settings & Info'.</p>	<p>While camera is connected to Wi-Fi.</p> <ol style="list-style-type: none">1. Click Live View.
 <p>The screenshot shows the camera app interface after Live View has been activated. The video feed is now a still image of the construction site. At the bottom, the 'Live View' button has been replaced by a 'Stop Live View' button (highlighted with a circled '3'). The 'Start Recording' and 'Settings & Info' buttons remain.</p>	<ol style="list-style-type: none">2. View Live Image. The camera streams live images at 5–10 frames per second, shown on the screen.3. Stop Live View. Click again to stop Live View. <p>Note: Live View is unavailable while the camera is recording.</p>

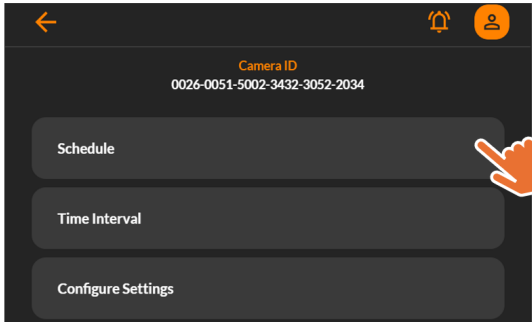

Wi-Fi | Start/Stop Recording

 <p>The screenshot shows a mobile application interface for a camera. At the top, it displays 'Camera ID' and the number '0026-0051-5002-3432-3052-2034'. Below this is a live video feed of a construction site with cranes. At the bottom, there are three buttons: 'Live View' (orange), 'Start Recording' (white with an orange square icon), and 'Settings & Info' (grey with a gear icon). A red circle with the number '1' is positioned to the right of the 'Start Recording' button, with a line pointing to it.</p>	<p>After completing Time Interval and Schedule settings:</p> <ol style="list-style-type: none">1. Click Start Recording. Begin recording your time-lapse project. <p>Note: Live View, Time Interval & Schedule are unavailable while the camera is recording.</p>
 <p>The screenshot shows the same mobile application interface as above. The 'Start Recording' button is now greyed out, and the 'Stop Recording' button (white with an orange square icon) is highlighted. A red circle with the number '2' is positioned to the right of the 'Stop Recording' button, with a line pointing to it.</p>	<ol style="list-style-type: none">2. Click Stop Recording. Click again to stop recording.

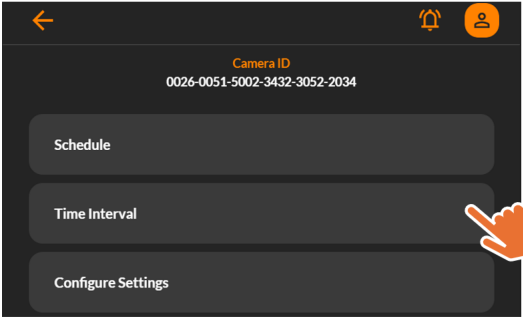
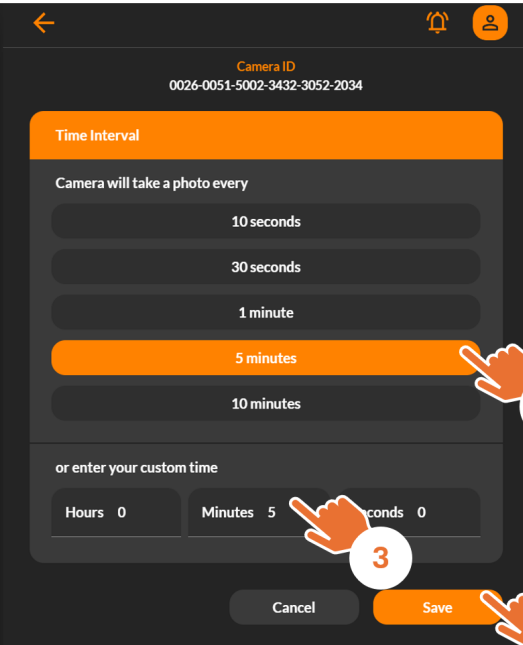
Wi-Fi | Settings & Info

	<p>Go to Multi-Camera System (MCS)</p> <ol style="list-style-type: none">Schedule Set the daily & weekly recording schedule.Time Interval Choose or customize the time interval.Configure Settings Flicker filter, time stamp, image setting, playback rate.Battery Details View the remaining battery level of the camera and the power housing.SD Card Check and manage files stored on the SD card.About Camera View the current firmware version and update via OTA (Over-the-Air).Help FAQ
--	--

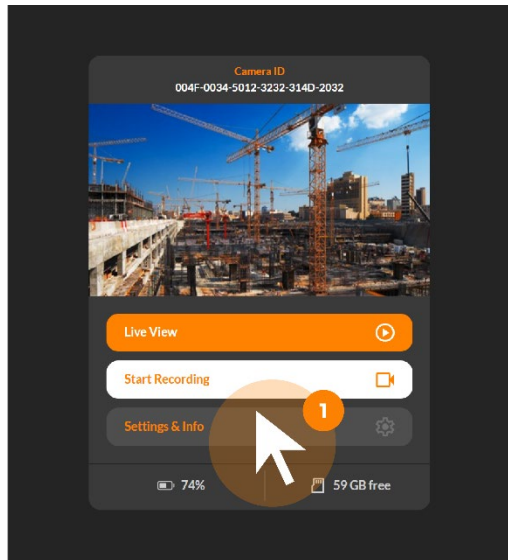
Settings | Schedule

	<p>Go to Multi-Camera System (MCS)</p> <ol style="list-style-type: none">1. Click Schedule.
	<ol style="list-style-type: none">2. Enable/disable Schedule.3. Select Start Recording Time.4. Decide Recording Duration.5. Choose Schedule Days (days of the week to record).6. File Split Options.<ul style="list-style-type: none">- Continuous: Combines multiple days into a single video file.- Daily: Creates one file per day.<p>Note: Files over 500 MB will be split automatically.</p>7. Click Save to confirm the schedule.

Settings | Time Interval

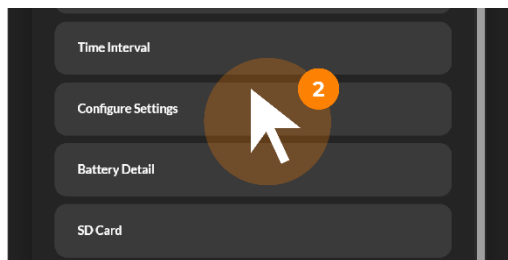
 <p>A screenshot of a mobile application settings screen. At the top, there is a back arrow, a bell icon, and a profile icon. Below that, the text 'Camera ID' is followed by the ID '0026-0051-5002-3432-3052-2034'. There are three menu items: 'Schedule', 'Time Interval', and 'Configure Settings'. An orange hand icon with the number '1' is pointing to the 'Time Interval' option.</p>	<p>Go to Multi-Camera System (MCS)</p> <ol style="list-style-type: none">1. Click Time Interval.
 <p>A screenshot of the 'Time Interval' settings screen. The title 'Time Interval' is at the top. Below it, the text 'Camera will take a photo every' is followed by a list of options: '10 seconds', '30 seconds', '1 minute', '5 minutes', and '10 minutes'. The '5 minutes' option is highlighted in orange, with an orange hand icon labeled '2' pointing to it. Below this list, there is a section 'or enter your custom time' with three input fields: 'Hours 0', 'Minutes 5', and 'seconds 0'. An orange hand icon labeled '3' is pointing to the 'Minutes 5' field. At the bottom, there are 'Cancel' and 'Save' buttons. An orange hand icon labeled '4' is pointing to the 'Save' button.</p>	<ol style="list-style-type: none">2&3. Select desired time interval, or customize time interval according to your need.4. Click Save to apply.

Settings | Configure Settings

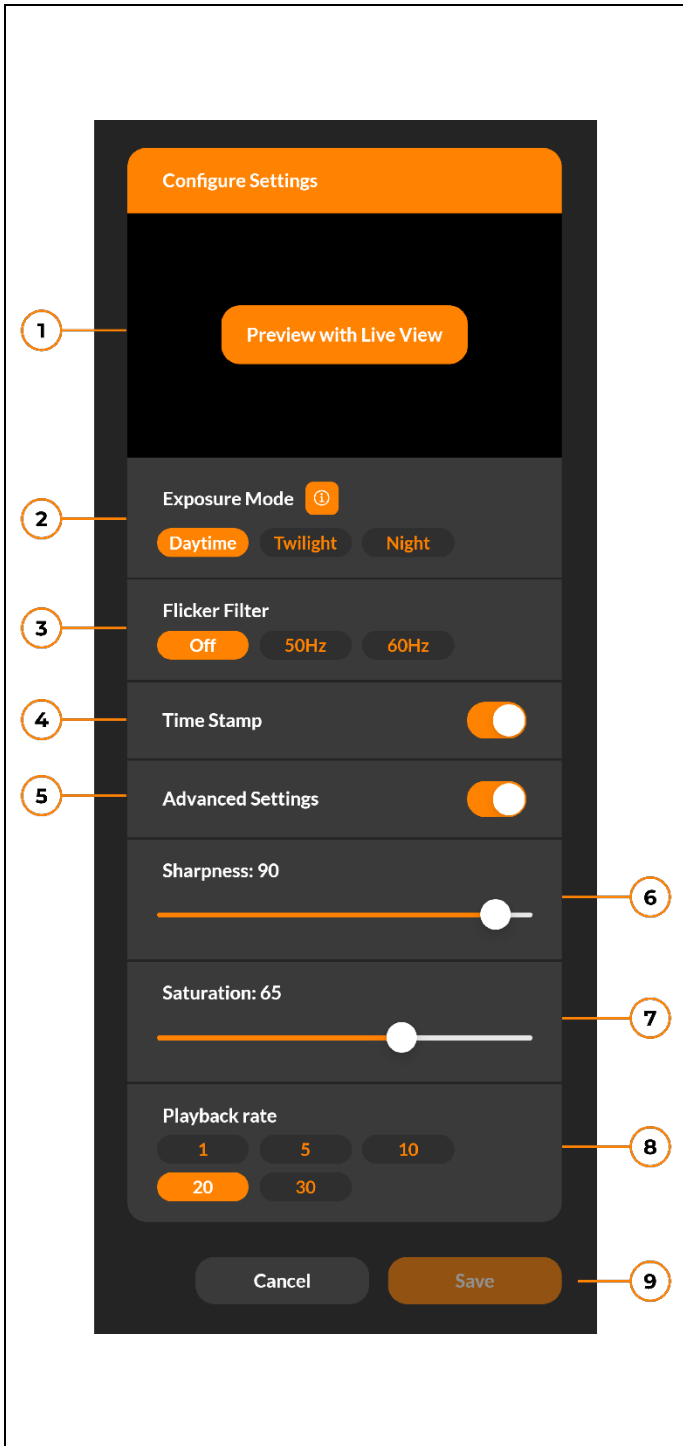


Go to [Multi-Camera System \(MCS\)](#)

1. Click **Setting & Info**.

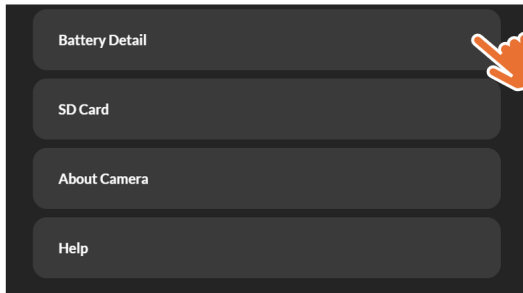


2. Click **Configure Settings**.



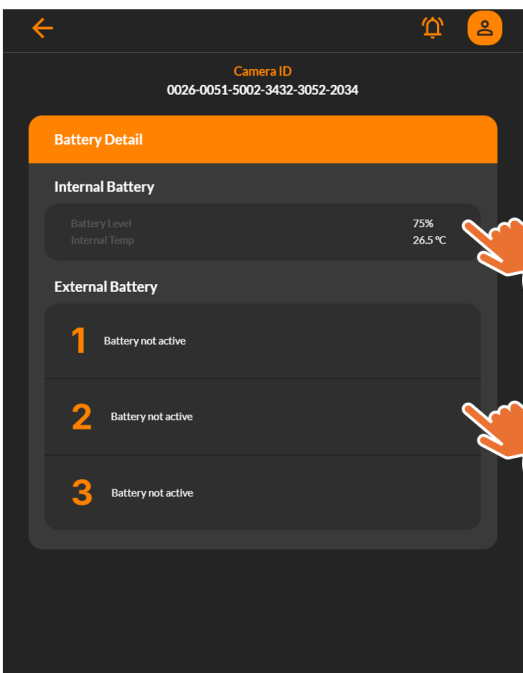
3. Introduction
 - 3-1. **Preview** the image in Live View for advanced adjustments.
 - 3-2. **Exposure Mode**
Manually select an exposure mode based on lighting conditions.
Note: Choose the mode according to the darkest lighting condition.
 - 3-3. **Flicker Filter**
Off: Recommended for outdoor use.
50 Hz: Europe, Africa, South East Asia, China, Australia and East Japan.
60 Hz: America, Taiwan, Korea, Philippines, West Japan.
Note: Please set your preferred flicker filter for indoor recording.
 - 3-4. **Time Stamp**
Enable/disable time stamp.
 - 3-5. **Advanced Settings**
To open the hidden 6-8 setting.
 - 3-6. **Sharpness**
Adjust image edge clarity.
 - 3-7. **Saturation**
Adjust color intensity in captured images.
 - 3-8. **Playback Rate**
Set the frame advance interval during video playback.
 - 3-9. **Save & Cancel**

Settings | Battery Details



Go to [Multi-Camera System \(MCS\)](#)

1. Click **Battery Detail**.




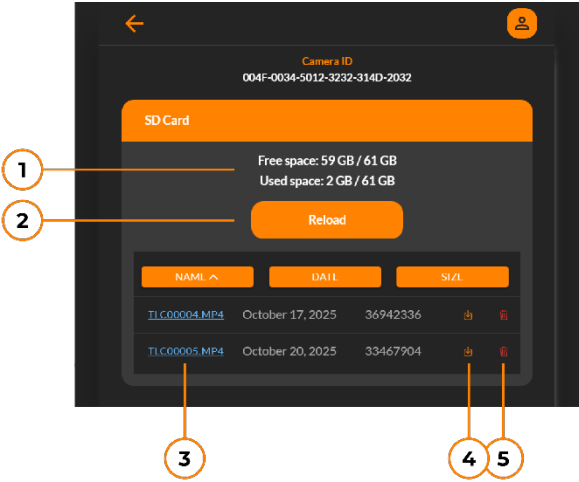
2. **Internal Battery**

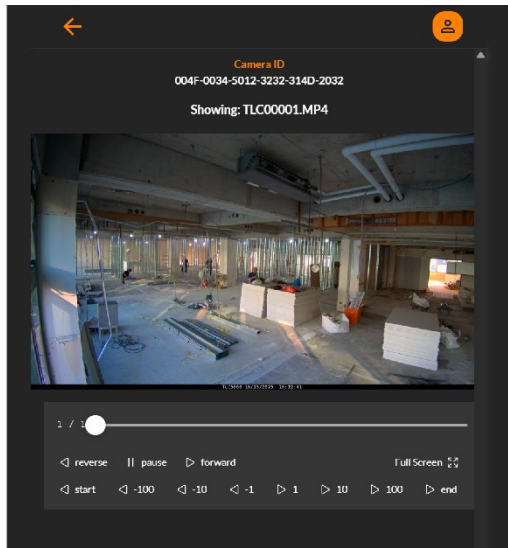
Displays the current battery level of the in-camera (internal) battery.

3. **External Battery**

Displays the battery level of the external battery (located in the camera housing).

Settings | SD Card

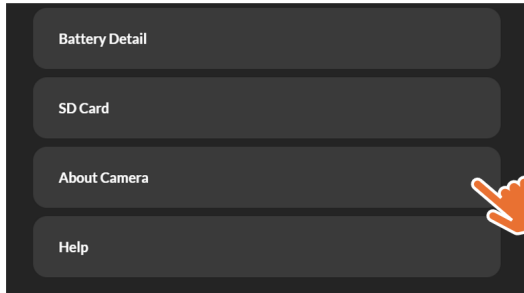
	<p>Go to Multi-Camera System (MCS)</p> <ol style="list-style-type: none">1. Click SD Card.
	<ol style="list-style-type: none">2. Introduction<ol style="list-style-type: none">2-1. SD card status Display the available storage space on the SD card.2-2. Reload Refresh and display the latest video list.2-3. File Name Click a file name to begin Playback.2-4. Download Files to your device2-5. Delete Files from SD card



3. **Playback**

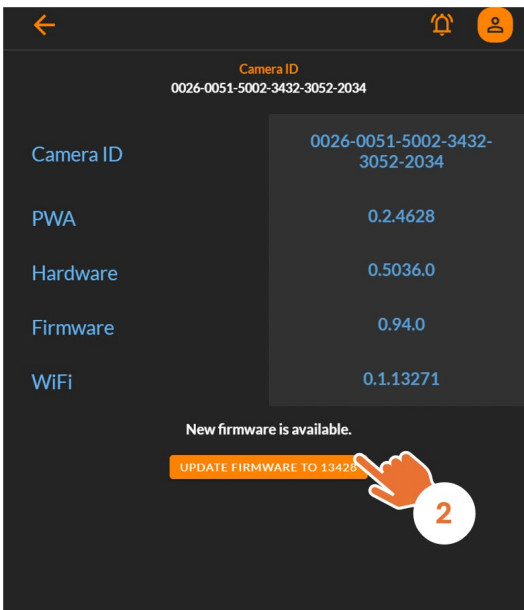
After clicking a **File Name**, the Playback page opens to preview the selected video recording.

Settings | About Camera



Go to [Multi-Camera System \(MCS\)](#)

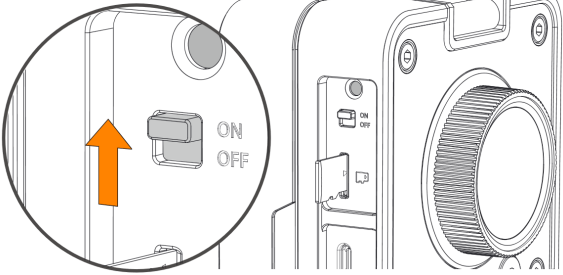
1. Click **About Camera**.



2. Firmware upgrade.

On-Camera Operation

On-Camera Operation

	<p>Turn on the camera.</p>
	<p>Start Recording</p> <ol style="list-style-type: none">1. Select the desired time interval by pressing Time Interval button.2. Position the camera as needed. (Tip: Use the spirit level.)3. Press and hold the Start/Stop button for 2 seconds.4. The Interval LED will light up and begin blinking. <p>How can I know if the camera is recording?</p> <ul style="list-style-type: none">• During Recording, the start/stop button LED blinks once every 8 secs.• Pressing the Start/Stop or Time Interval button will make the selected interval LED light up briefly. <p>Stop Recording</p> <ol style="list-style-type: none">1. Press and hold the Start/Stop button for 3 seconds.2. The Interval LED will light up and the Start/Stop button LED will blink for several seconds.

brinno
brilliant innovation